



Exchangeable Battery Pack

Control Handle



AMERICAN CURTIS CONTROLLER



ITALIAN AMER DRIVE UNIT



SUSPENSION CASTERS



BIG CAPACITY MAINTENANCE-FREE SEMI-TRACTION BATTERY



COMPACT DESIGN



SMALL TURNING RADIUS



EASY OPERATION



LOW NOISE

EFET26N

ELECTRIC PALLET TRUCK

FEATURES:

Electric Lift • Ergonomic Handle w/Battery Discharge Indicator • Exchangeable Battery
Fewer Wiring results in Less Servicing • Low Service Weight/Robust design

The EFET26N is a full-electric pallet truck designed as an economic alternative to be used on small/inner-city delivery trucks. These units feature electric lift operation, manual lowering for more precise and careful fork descent, and self-propelled movement for easy transport. The compact and light design makes this unit perform exceptionally well in the back of trucks with tail/lift-gate functionality, and has the ability to make tight turns and maneuver with ease. The EFET26N features an external charger and can be purchased with an additional battery so that one battery is continually on charge while the unit is still in operation.

2,600  lbs CAPACITY

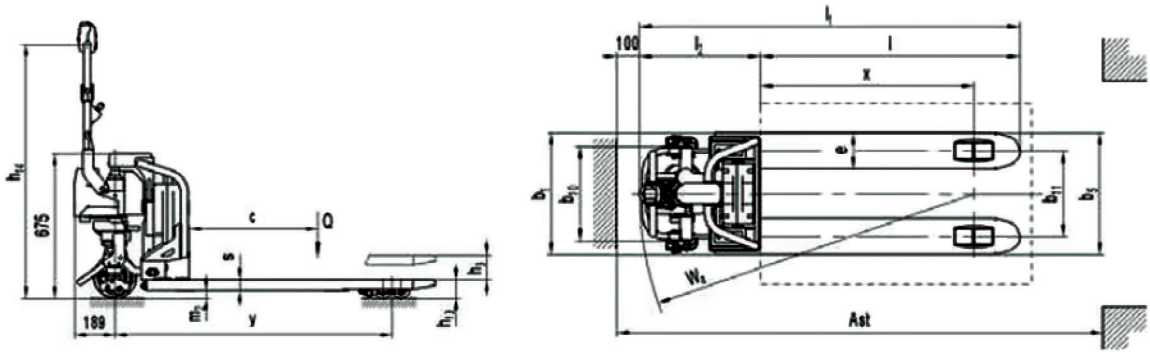
Fork Length: 45.27" or 48" • Overall Fork Width: 21.25"/27"
Weight: 374 lbs • Lift Hgt: 7.8" • Lowered Hgt: 3.3" • Fork Width: 6.3" • Drive Tire (Front): 8.6" x 2.7"
Load Roller: 3.15" x 3.6" • Travel Speed (laden/unladen): 2.48/2.79 mph

IDEAL FOR USE
* ON TRUCKS WITH *
LIFT-GATES

2,600 lbs CAPACITY

EFET ELECTRIC PALLET TRUCK		
Model		EFET26N
Capacity	lbs	2600
Weight	lbs	374
Load Center	in	23.6
Wheelbase	in	50.9
Lowered Fork Height	in	3.3
Raised Fork Height	in	7.8
Steer Wheel (Polyurethane)	in	8.6 x 2.7
Fork Size	in	6.3
Overall Fork Width	in	21.25 / 27
Fork Length	in	45.27 / 48
Load Roller (Polyurethane)	in	3.15 x 3.6
Turning Radius	in	58.34
Aisle Width (for pallets: 32" x 48")	in	84.88
Travel Speed (Laden / Un-laden)	mph	2.48 / 2.79
Lift Speed (Laden / Un-laden)	mph	.098 / .173
Max. Gradeability (Laden / Un-laden)	%	4 / 10
Battery Voltage	V/Ah	2 x 12V / 45

*Because of continual product improvements, specifications may be subject to change without notice



HANDLE FEATURES

