

## PARTS LIST

# ESPT44WLH ELECTRIC

---

VERSION  
MODEL  
APPLICABLE PRODUCTS

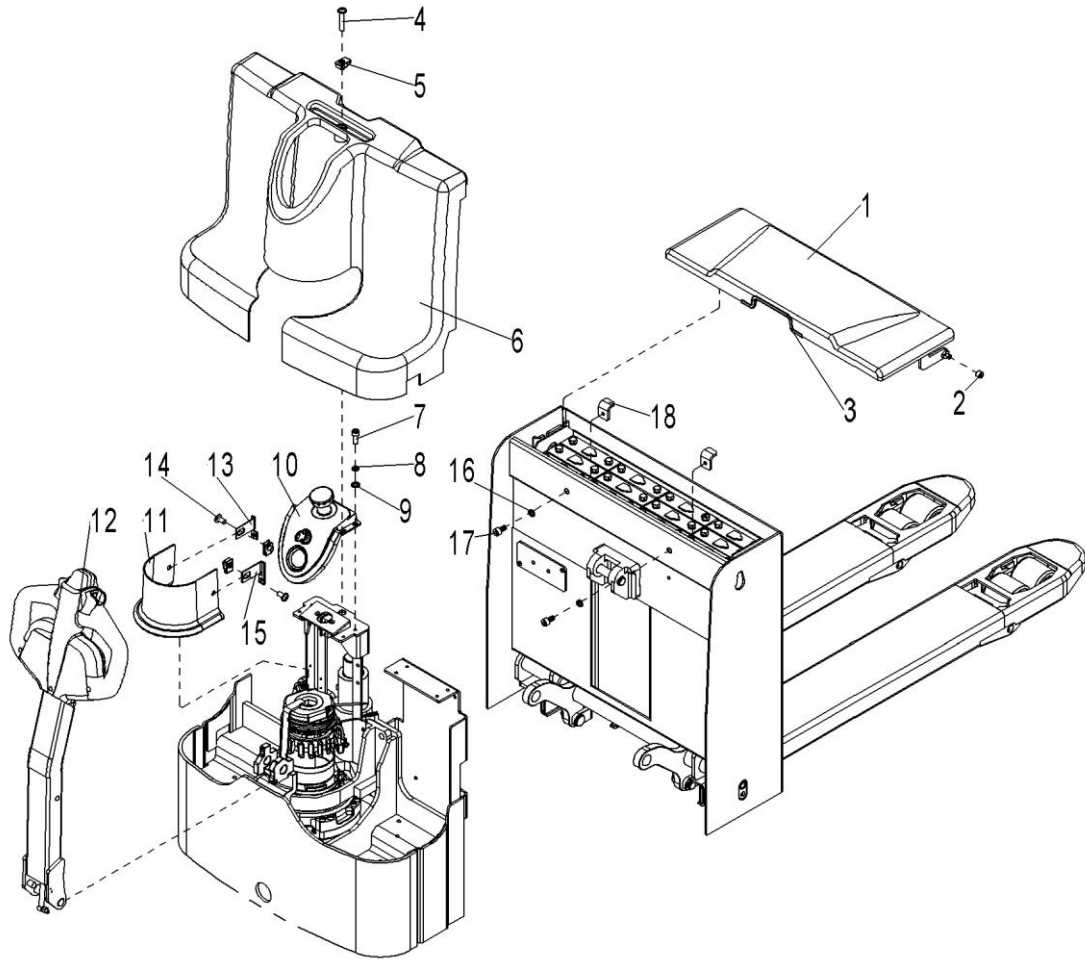
DECEMBER 2014  
ESPT44WLH LONG HANDLE WALKIE PALLET TRUCK  
ESPT44WLH

---

# Catalogue

Fig.1 Appearance (1600Kg/3520lbs) .....	2
Fig.2 Appearance (2000Kg/4400lbs) .....	4
Fig.3 Appearance (side pulling) .....	6
Fig.6 Truck frame .....	8
Fig.7 Truck frame (side pulling) .....	10
Fig.9 Load roller (for EU) .....	14
Fig.10 Truck body Assembly.....	16
Fig.13 Battery .....	18
Fig.14 Battery (side pulling) .....	20
Fig.17 Drive wheel .....	22
Fig.19 Steering wheel .....	24
Fig.20 Handle assembly .....	26
Fig.21 Canbus Handle .....	28
Fig.22 Hydraulic Assembly.....	30
Fig.24 0.8KW Pump .....	32
Fig. 26 Electrical Assembly .....	34
Fig.28 Electrical Control Assembly .....	38
Fig.29 Main Cables .....	42
Fig.33 Label (for US).....	44
Fig.34 Label (for US) (side pulling) .....	46
Easy worn parts list .....	48

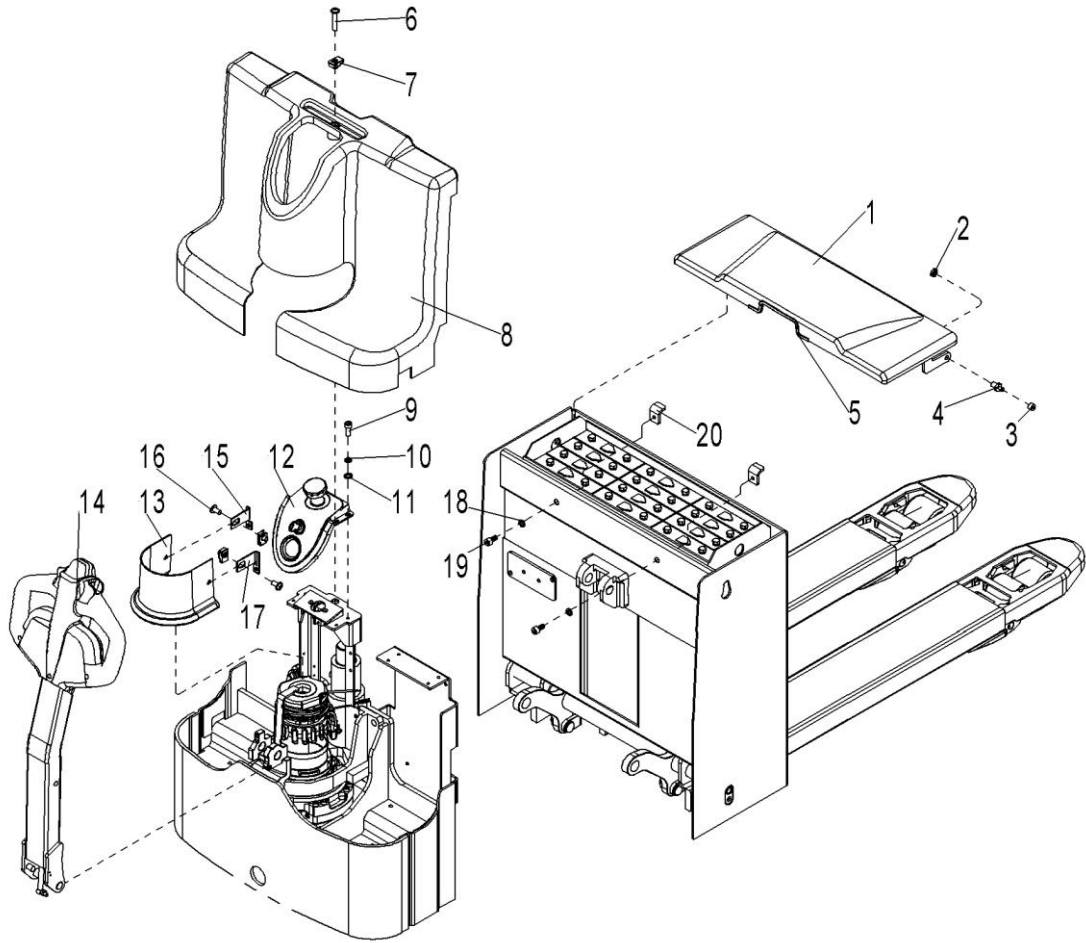
Fig.1 Appearance (1600Kg/3520lbs)



**Fig.1 Appearance (1600Kg/3520Lbs)**

No.	Art No.	Mobile Part #	Item	Qty.	Note	Standard
1	9000010661	ESPT4W-A16-1	Battery cover	1		
2	9000008047	ESPT4W-A16-2	Rubber ring	2		
3	9000008339	ESPT4W-A16-3	Seal strip	1		
4	9000007792	ESPT4W-A16-4	Screw	1	M10X45	
5	9000007783	ESPT4W-A16-5	Nut	3		
6	9000010662	ESPT4W-A16-6	Electrical box cover	1		
7	0000023040	ESPT4W-A16-7	Screw	4	M6x16	GB/T70.1=ISO4762
8	0000025010	ESPT4W-A16-8	Washer 6	4	6	GB/T93
9	0000023055	ESPT4W-A16-9	Washer 6	4	6	GB/T95
10	9000010663	ESPT4W-A16-10	Indicator cover	1		
11	9000010664	ESPT4W-A16-11	Motor cover	1		
12	9000010665	ESPT4W-A16-12	Handle assembly	1		
13	9000011593	ESPT4W-A16-13	Motor cover left assembly board	1		
14	1000423001	ESPT4W-A16-14	Screw	2	M10X20	
15	9000011594	ESPT4W-A16-15	Motor cover right assembly board	1		
16	0000025001	ESPT4W-A16-16	Washer	2	8	
17	0000023044	ESPT4W-A16-17	Screw	2	M8x20	
18	9000010646	ESPT4W-A16-18	Battery limit board	2		

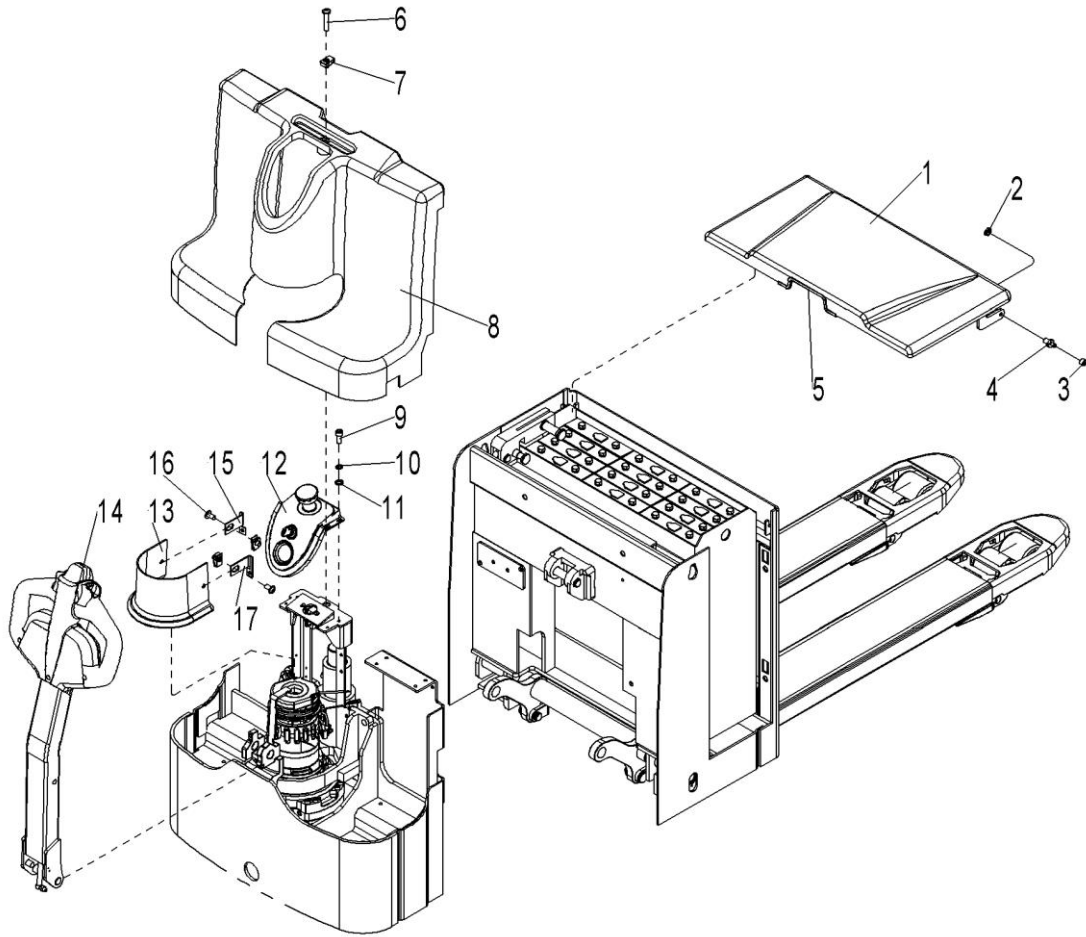
**Fig.2 Appearance (2000Kg/4400lbs)**



**Fig.2 Appearance (2000Kg/4400lbs)**

No.	Art No.	Mobile Part #	Item	Qty.	Note	Standard
1	9000008046	ESPT4W-A1	Battery cover	1		
2	0000024178	ESPT4W-A2	Nut	4	M24x1.5	GB/T6173
3	9000008047	ESPT4W-A3	Rubber ring	2		
4	9000008057	ESPT4W-A4	Hinge axle	2		
5	9000008339	ESPT4W-A5	Seal strip	1		
6	9000007792	ESPT4W-A6	Screw	1	M10X45	
7	9000007783	ESPT4W-A7	Nut	3		
8	9000010662	ESPT4W-A8	Electrical box cover	1		
9	0000023040	ESPT4W-A9	Screw	4	M6x16	GB/T70.1=ISO4762
10	0000025010	ESPT4W-A10	Washer 6	4	6	GB/T93
11	0000023055	ESPT4W-A11	Washer 6	4	6	GB/T95
12	9000010663	ESPT4W-A12	Indicator cover	1		
13	9000010664	ESPT4W-A13	Motor cover	1		
14	9000010665	ESPT4W-A14	Handle assembly	1		
15	9000011593	ESPT4W-A15	Motor cover left assembly board	1		
16	1000423001	ESPT4W-A16	Screw	2	M10X20	
17	9000011594	ESPT4W-A17	Motor cover right assembly	1		
18	0000025001	ESPT4W-A18	Washer	2	8	
19	0000023044	ESPT4W-A19	Screw	2	M8x20	
20	9000011762	ESPT4W-A20	Battery limit board	2		

**Fig.3 Appearance (side pulling)**

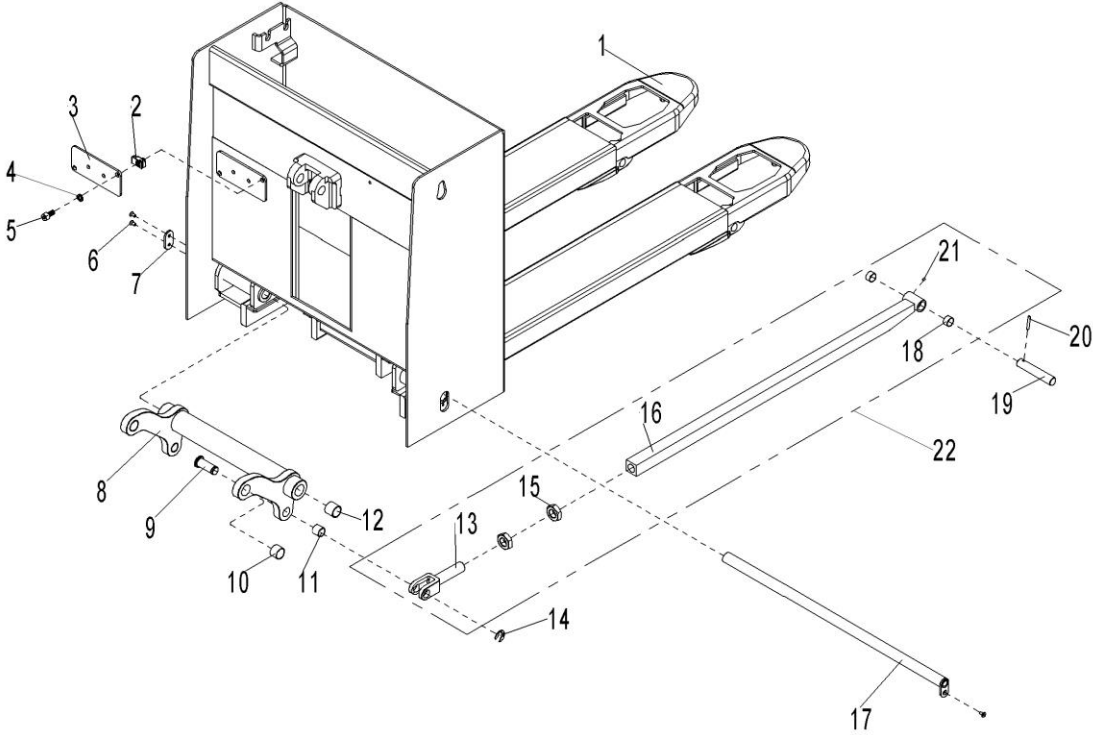


**Fig.3 Appearance (side pulling)**

No.	Art No.	Mobile Part #	Item	Qty.	Note	Standard
1	9000011587	ESPT4W-ASP1	Battery cover	1		
2	0000024178	ESPT4W-ASP2	Nut	4	M24x1.5	GB/T6173
3	9000008047	ESPT4W-ASP3	Rubber ring	2		
4	9000008057	ESPT4W-ASP4	Hinge axle	2		
5	9000008339	ESPT4W-ASP5	Seal strip	1		
6	9000007792	ESPT4W-ASP6	Screw	1	M10X45	
7	9000007783	ESPT4W-ASP7	Nut	3		
8	9000010662	ESPT4W-ASP8	Electrical box cover	1		
9	0000023040	ESPT4W-ASP9	Screw	4	M6x16	GB/T70.1=ISO4762
10	0000025010	ESPT4W-ASP10	Washer 6	4	6	GB/T93
11	0000023055	ESPT4W-ASP11	Washer 6	4	6	GB/T95
12	9000010663	ESPT4W-ASP12	Indicator cover	1		
13	9000010664	ESPT4W-ASP13	Motor cover	1		
14	9000010665	ESPT4W-ASP14	Handle assembly	1		
15	9000011593	ESPT4W-ASP15	Motor cover left assembly	1		
16	1000423001	ESPT4W-ASP16	Screw	2	M10X20	
17	9000011594	ESPT4W-ASP17	Motor cover right	1		



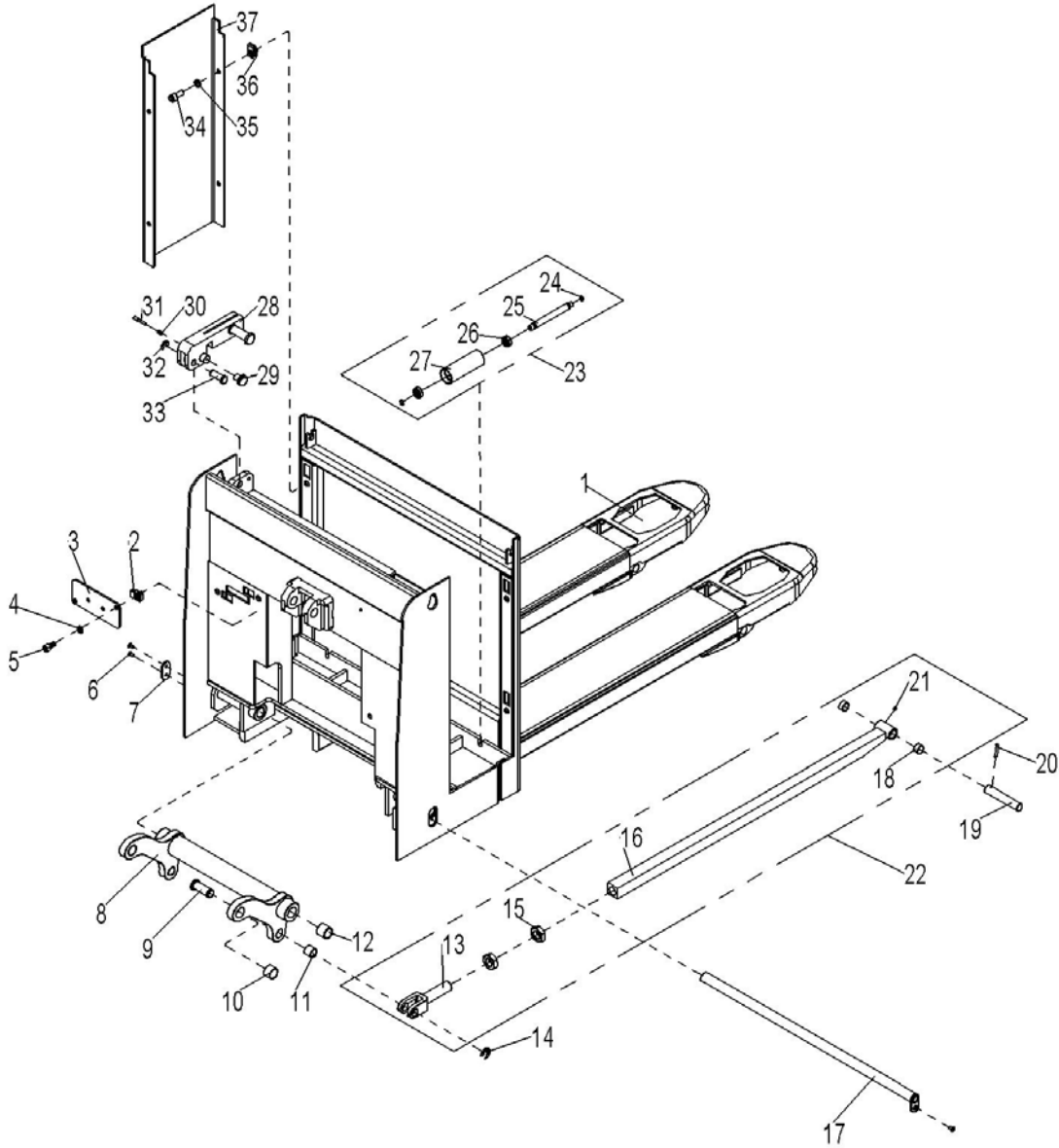
Fig.6 Truck frame



**Fig.6 Truck Frame**

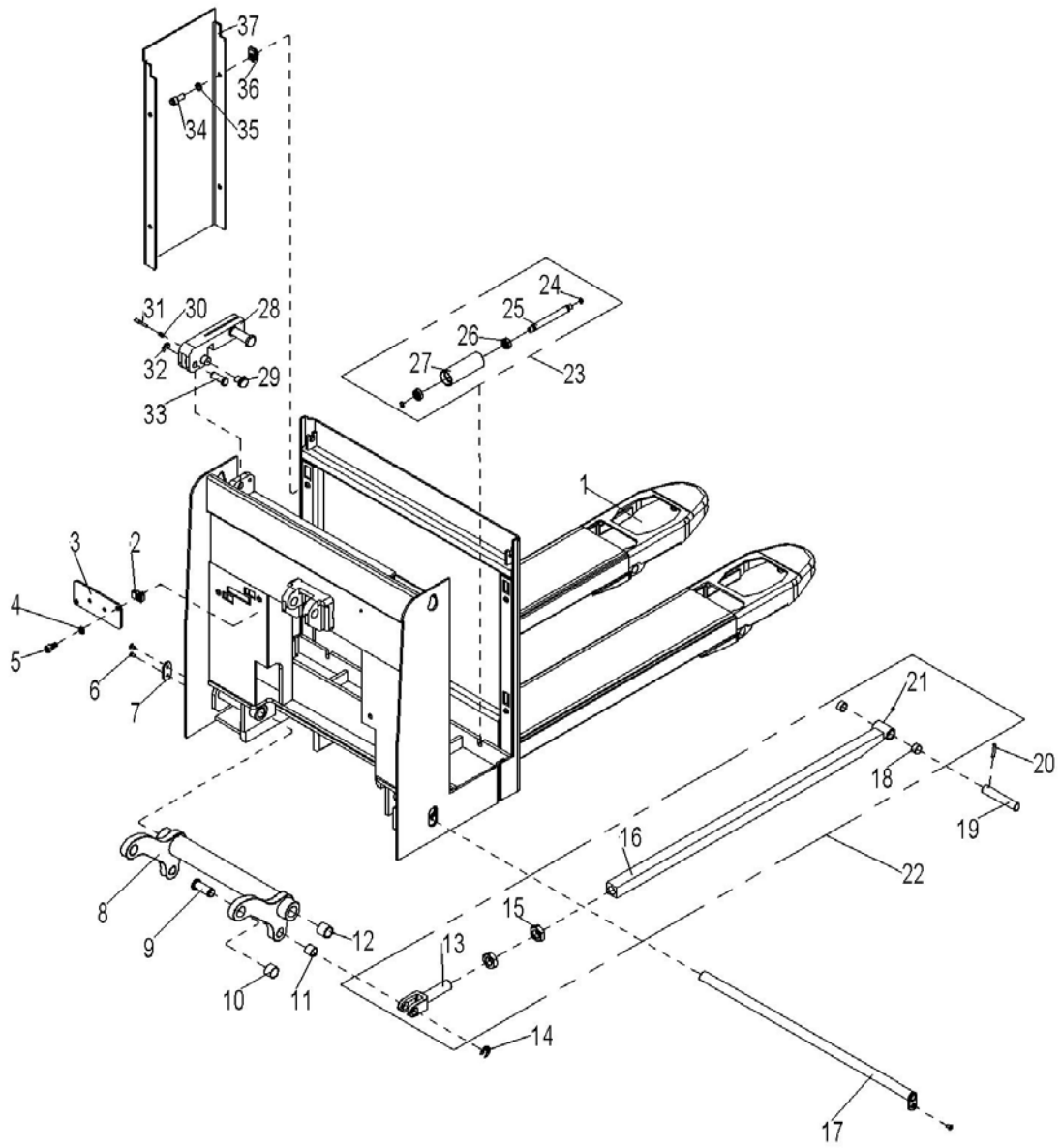
No.	Art No.	Mobile Part #	Item	Qty.	Note	Standard
2	9000007783	ESPT4W-TF2	Nut	1		
3	9000010669	ESPT4W-TF3	Pump assembly plate	1		
4	0000023006	ESPT4W-TF4	Washer	2	10	GB/T93
5	0000023088	ESPT4W-TF5	Screw	2	M10x25	GB/T70.1=ISO4762
6	0000023091	ESPT4W-TF6	Screw	5	M6x12	GB/T70.3= ISO10642
7	1000504001	ESPT4W-TF7	Fixing plate	1		
8	9000008044	ESPT4W-TF8-A	Rock arm	1	540	
	9000008906	ESPT4W-TF8-B	Rock arm		685	
9	9000008052	ESPT4W-TF9	Pushing rod fork axle	1		
10	0000013024	ESPT4W-TF10	Bushing	2	25x28x20	
11	0000013001	ESPT4W-TF11	Bushing	2	20x23x20	
12	0000027006	ESPT4W-TF12	Bushing	2	25x29x25	
13	9000008053	ESPT4W-TF13	Pushing rod fork	2		
14	0000026001	ESPT4W-TF14	Circlip	2	15	GB/T896
15	0000024178	ESPT4W-TF15	Nut	4	M24x1.5	GB/T6173 =ISO8675
16	9000010673	ESPT4W-TF16-A	Pushing rod	2	1150	
	9000010937	ESPT4W-TF16-B	Pushing rod	2	1220	
17	9000008048	ESPT4W-TF17	Rock arm axle	1		
18	0000027005	ESPT4W-TF18	Bushing	4	20x22x12	
19	9000008055	ESPT4W-TF19	Pushing rod axle	2		
20	0090000744	ESPT4W-TF20	Dowel pin	2	5x28	ISO8748
21	0000030001	ESPT4W-TF21	Grease nipple	2	6	JB/T7940.4
22	9000010674	ESPT4W-TF22-A	Pushing rod kit	2	1150	
	9000010941	ESPT4W-TF22-B	Pushing rod kit	2	1220	

Fig.7 Truck frame (side pulling)



**Fig.7 Truck Frame (side pulling)**

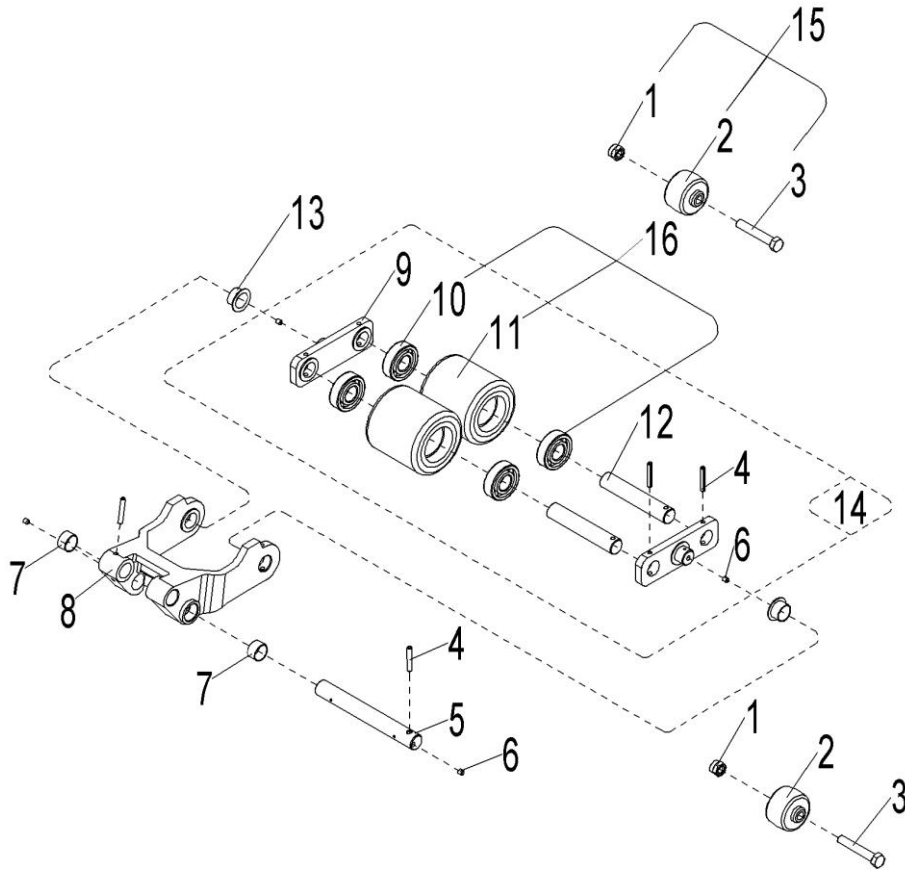
No.	Art No.	Mobile Part #	Item	Qty.	Note	Standard
2	9000007783	ESPT4W-TFSP2	Nut	1		
3	9000010669	ESPT4W-TFSP3	Pump assembly plate	1		
4	0000023006	ESPT4W-TFSP4	Washer	2	10	GB/T93
5	0000023088	ESPT4W-TFSP5	Screw	2	M10x25	GB/T70.1=ISO4762
6	0000023091	ESPT4W-TFSP6	Screw	5	M6x12	GB/T70.3= ISO10642
7	1000504001	ESPT4W-TFSP7	Fixing plate	1		
8	9000008044	ESPT4W-TFSP8-A	Rock arm	1	540	
	9000008906	ESPT4W-TFSP8-B	Rock arm		685	
9	9000008052	ESPT4W-TFSP9	Pushing rod fork axle	1		
10	0000013024	ESPT4W-TFSP10	Bushing	2	25x28x20	
11	0000013001	ESPT4W-TFSP11	Bushing	2	20x23x20	
12	0000027006	ESPT4W-TFSP12	Bushing	2	25x29x25	
13	9000008053	ESPT4W-TFSP13	Pushing rod fork	2		
14	0000026001	ESPT4W-TFSP14	Circlip	2	15	GB/T896
15	0000024178	ESPT4W-TFSP15	Nut	4	M24x1.5	GB/T6173 =ISO8675
16	9000011611	ESPT4W-TFSP16-A	Pushing rod	2	1150	
	9000011612	ESPT4W-TFSP16-B	Pushing rod	2	1220	
17	9000008048	ESPT4W-TFSP17	Rock arm axle	1		
18	0000027005	ESPT4W-TFSP18	Bushing	4	20x22x12	
19	9000008055	ESPT4W-TFSP19	Pushing rod axle	2		
20	0090000744	ESPT4W-TFSP20	Dowel pin	2	5x28	ISO8748
21	0000030001	ESPT4W-TFSP21	Oil cup	2	6	JB/T7940.4
22	9000011614	ESPT4W-TFSP22-A	Pushing rod kit	2	1150	
	9000011613	ESPT4W-TFSP22-B	Pushing rod kit	2	1220	
23	9000011590	ESPT4W-TFSP23	Roller assembly	6		
24	0000026004	ESPT4W-TFSP24	Circlip	12	15	GB/T894.1
25	9000011591	ESPT4W-TFSP25	Axle	6		
26	0000027060	ESPT4W-TFSP26	Bearing	12	6202	GB/T276
27	9000011592	ESPT4W-TFSP27	Barrel	6		
28	9000008267	ESPT4W-TFSP28	Battery cover mechanic lock	1		



**Fig.7 Truck Frame (side pulling)**

No.	Art No.	Mobile Part #	Item	Qty.	Note	Standard
29	9000008265	ESPT4W-TFSP29	Handle	1		
30	9000007788	ESPT4W-TFSP30	Spring	1		
31	9000008264	ESPT4W-TFSP31	Pin head	1		
32	0000026052	ESPT4W-TFSP32	Circlip	1	12	GB/T896
33	9000008268	ESPT4W-TFSP33	Fixing axle	1		
34	0000023088	ESPT4W-TFSP34	Screw	4	M10x25	GB/T70.1=ISO4762
35	0000023006	ESPT4W-TFSP35	Washer	4	10	GB/T93
36	9000007783	ESPT4W-TFSP36	Nut	1		
37	9000011615	ESPT4W-TFSP37	Door plank	1		

Fig.9 Load roller (for EU)

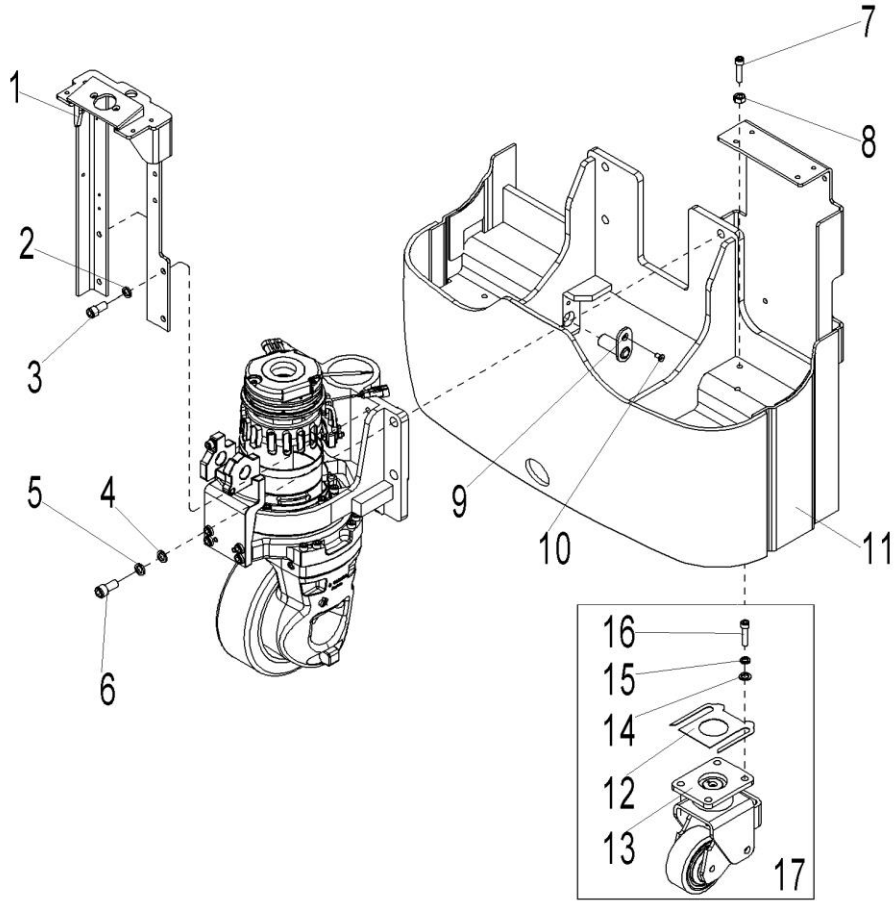


**Fig.9 Load Roller (for EU)**

No.	Art No.	Mobile Part #	Item	Qty.	Note	Standard
1	0000023005	ESPT4W-LREU1	Nut	2	M10	GB/T889.1=ISO7040
2	1000516001	ESPT4W-LREU2	Entry roller	2		
3	0000023004	ESPT4W-LREU3	Bolt	2	M10x60	GB/T5782=ISO4014
4	0000028009	ESPT4W-LREU4	Dowel pin	6/2(D/S)	5x35	GB/T879.1=ISO8752
5	9000008056	ESPT4W-LREU5	Lever block axle	2		
6	0000030001	ESPT4W-LREU6	Grease nipple	2	6	JB/T7940.4
7	0000027005	ESPT4W-LREU7	Bushing	4	20x22x12	
8	9000008054	ESPT4W-LREU8	Lever block	2		
9	9000008077	ESPT4W-LREU9	Linking block	4		
10	0000027001	ESPT4W-LREU10	Bearing	8/4(D/S)	6204	GB/T276=ISO3290
11	9000008791	ESPT4W-LREU11	Load roller	4(D)	84x84	
12	9000008076	ESPT4W-LREU12	Spindle	4(D)		
13	9000002333	ESPT4W-LREU13	Harness	4(D)	18x20x12	
14	9000008913	ESPT4W-LREU14	Load roller assembly	2		
15	9000010400	ESPT4W-LREU15	Entry roller kit	2		
16	9000010421	ESPT4W-LREU16	Wheel set kit	4		



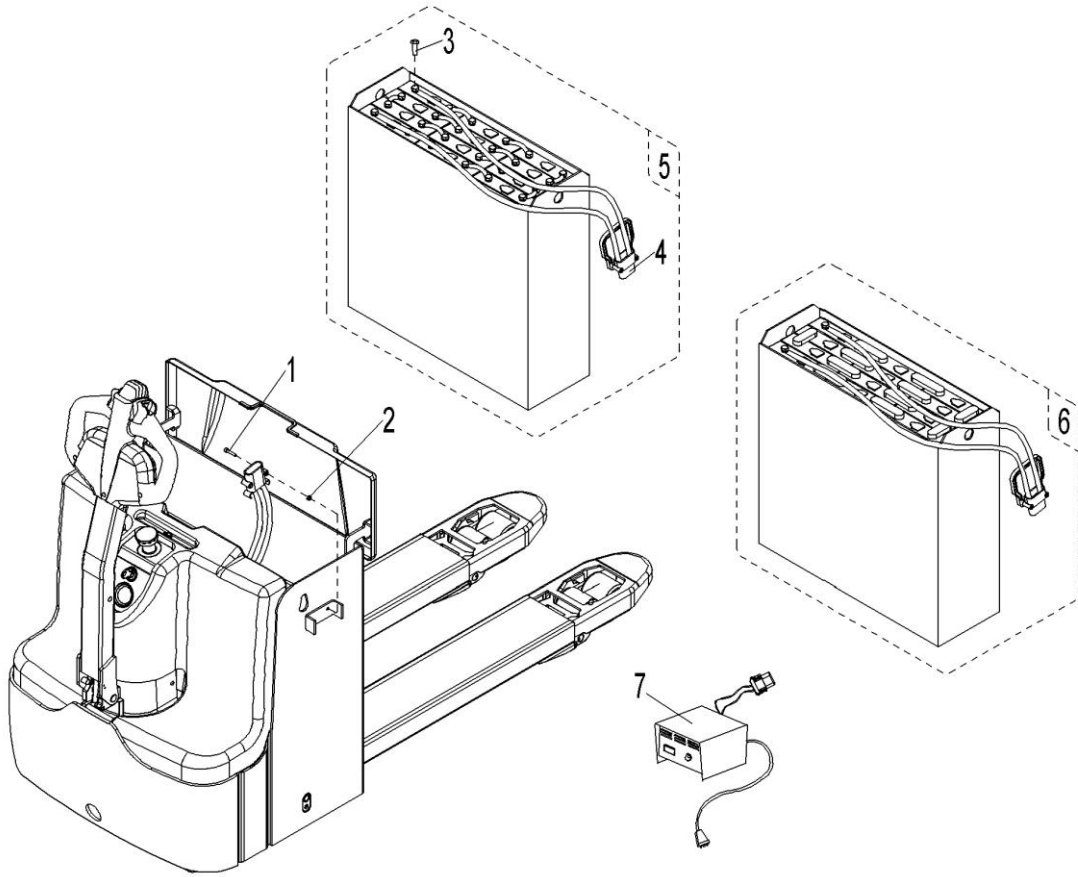
Fig.10 Truck body Assembly



**Fig.10 Truck Body Assembly**

No.	Art No.	Mobile Part #	Item	Qty.	Note	Standard
1	9000010680	ESPT4W-TBA1	Indicator seat	1		
2	0000025001	ESPT4W-TBA2	Washer	4	8	GB/T93
3	0000023067	ESPT4W-TBA3	Screw	4	M8x16	GB/T70.1=ISO4762
4	0000025029	ESPT4W-TBA4	Washer	4	16	GB/T95
5	0000025059	ESPT4W-TBA5	Washer	4	16	GB/T93
6	0000023583	ESPT4W-TBA6	Bolt	4	M16x45	GB/T5783= ISO4017
7	0000023214	ESPT4W-TBA7	Screw	2	M10x50	GB/T70.1=ISO4762
8	0000024013	ESPT4W-TBA8	Nut	2	M10	GB/T6170= ISO4032
9	9000008281	ESPT4W-TBA9	Fixing axle assembly	2		
10	0000023091	ESPT4W-TBA10	Screw	2	M6x12	GB/T70.3= ISO10642
11	9000010681	ESPT4W-TBA11	Truck body assy	1		
12	1000404031	ESPT4W-TBA12-A	Adjusting washer	Several	1mm	
	1000404032	ESPT4W-TBA12-B	Adjusting washer		0.5mm	
13	9000010715	ESPT4W-TBA13	Steering wheel assembly	2		
14	0000025002	ESPT4W-TBA14	Washer	8	10	GB/T95
15	0000023006	ESPT4W-TBA15	Washer	8	10	GB/T93
16	0000023025	ESPT4W-TBA16	Screw	8	M10x40	GB/T70.1=ISO4762
17	9000011776	ESPT4W-TBA17	Steering wheel kit	2		

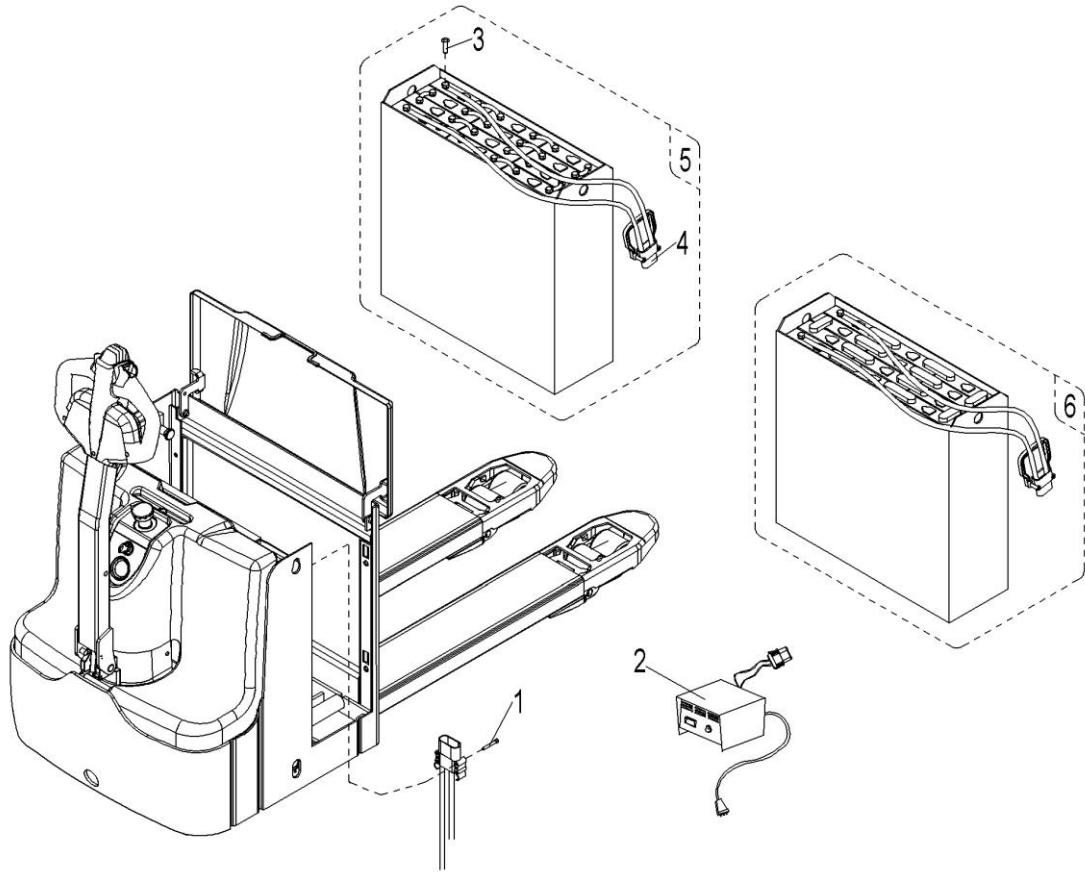
**Fig.13 Battery**



**Fig.13 Battery**

No.	Art No.	Mobile Part #	Item	Qty.	Note	Standard
1	0000023090	ESPT4W-B1	Screw	2	M6x35	GB/T70.1-2008
2	0000024068	ESPT4W-B2	Nut	2	M6	GB/T6170= ISO4032
3	9000009832	ESPT4W-B3	Screw	24	Only for bolt type battery	
4	9000010685	ESPT4W-B4	Connector	1	Only for bolt type battery	
5	9000010686	ESPT4W-B5	Power supply	1	bolt type	
6	9000010687	ESPT4W-B6	Power supply	1	weld type	
7	9000010118	ESPT4W-B7EU	Charger (For EU)	1	24V/30A	
	9000010120	ESPT4W-B7AUS	Charger (For AUS)	1	24V/30A	
	9000010121	ESPT4W-B7UK	Charger (For UK)	1	24V/30A	
	9000010146	ESPT4W-B7US	Charger (For USA)	1	24V/30A	

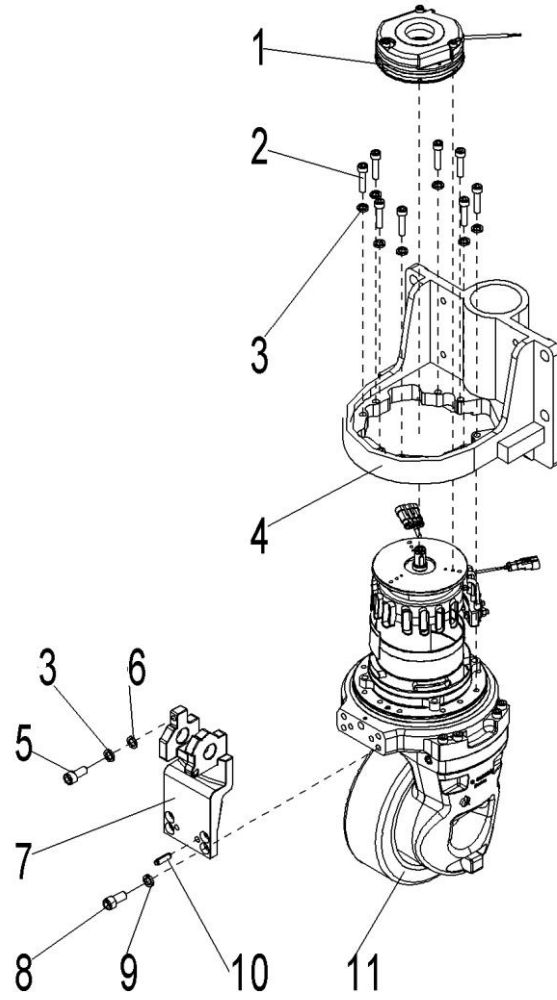
**Fig.14 Battery (side pulling)**



**Fig.14 Battery (side pulling)**

No.	Art No.	Mobile Part #	Item	Qty.	Note	Standard
1	0000023719	ESPT4W-BSP1	Screw	2	M6x50	GB/T70.1=ISO4762
2	9000010118	ESPT4W-BSP2EU	Charger (For EU)	1	24V/30A	
	9000010120	ESPT4W-BSP2AUS	Charger (For AUS)	1	24V/30A	
	9000010121	ESPT4W-BSP2UK	Charger (For UK)	1	24V/30A	
	9000010146	ESPT4W-BSP2US	Charger (For USA)	1	24V/30A	
3	9000009832	ESPT4W-BSP3	Screw	24	Only for bolt type battery	
4	9000010685	ESPT4W-BSP4	Connector	1	Only for bolt type battery	
5	9000010686	ESPT4W-BSP5	Power supply	1	bolt type	
6	9000010687	ESPT4W-BSP6	Power supply	1	weld type	

Fig.17 Drive wheel

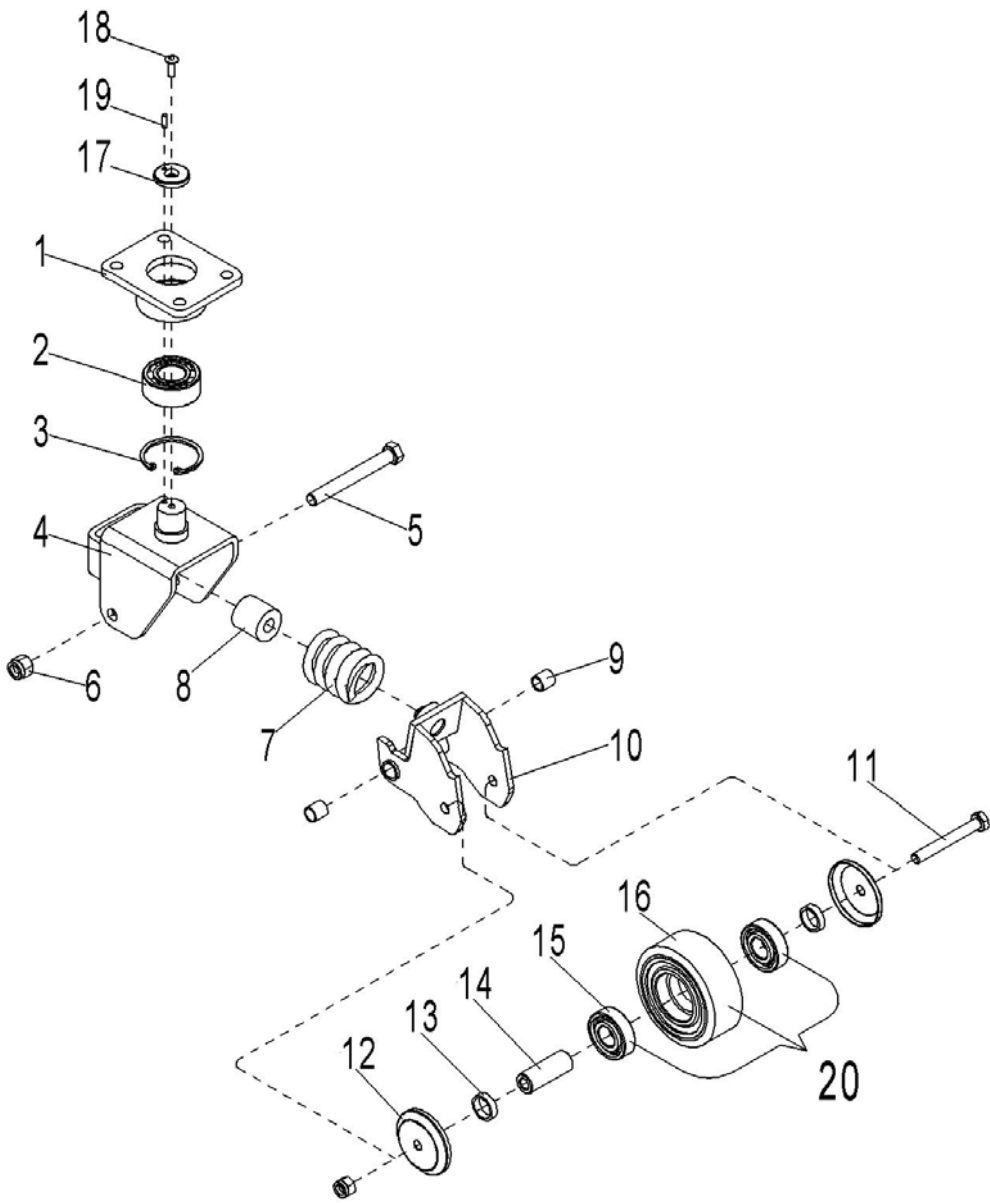


**Fig.17 Drive Wheel**

No.	Art No.	Mobile Part #	Item	Qty.	Note	Standard
1	9000011341	ESPT4W-DW1	Magnet brake	1		
2	0000023077	ESPT4W-DW2	Screw	8	M8x40	GB/T70.1=ISO4762
3	0000025001	ESPT4W-DW3	Washer	9	8	GB/T93
4	9000010933	ESPT4W-DW4	Drive wheel seat	1		
5	0000023067	ESPT4W-DW5	Screw	1	M8x16	GB/T70.1=ISO4762
6	0000025124	ESPT4W-DW6	Washer	1	8	GB/T848
7	9000010691	ESPT4W-DW7	Handle seat	1		
8	0000023034	ESPT4W-DW8	Screw	4	M10x20	GB/T70.1=ISO4762
9	0000023006	ESPT4W-DW9	Washer	4	10	GB/T93
10	0000028116	ESPT4W-DW10	Dowel pin	2	8x26	GB/T879.1=ISO8752
11	9000010249	ESPT4W-DW11	AC drive assembly	1		



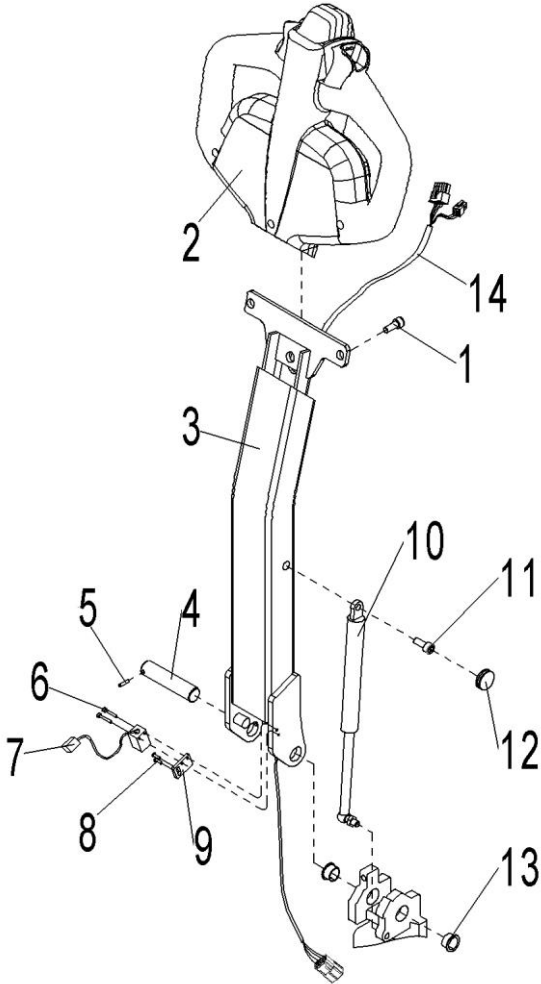
**Fig.19 Steering wheel**



**Fig.19 Steering Wheel**

No.	Art No.	Mobile Part #	Item	Qty.	Note	Standard
1	9000011774	ESPT4W-SW1	Linking plate	2		
2	0000027002	ESPT4W-SW2	Bearing	2	3056205	GB/T296
3	0000026002	ESPT4W-SW3	Circlip	2	52	GB/T893.1
4	1000401006	ESPT4W-SW4	Wheel frame	2		
5	1000423004	ESPT4W-SW5	Screw	2	M12×100	
6	0000024006	ESPT4W-SW6	Nut	2	M12	GB/T889.1=ISO7040
7	1000431002	ESPT4W-SW7-6	Spring	2	6×62	
	1000431001	ESPT4W-SW7-9	Spring	2	9×62	
8	1000419001	ESPT4W-SW8	Spring	2		
9	1000413002	ESPT4W-SW9	Bushing	4	12×15×15	
10	1000401008	ESPT4W-SW10	Rotating arm	2		
11	0000023035	ESPT4W-SW11	Bolt	2	M10×80	GB/T5782=ISO4014
12	1000404023	ESPT4W-SW12	Dust cover	4		
13	1000425003	ESPT4W-SW13	Washer	4		
14	1000402005	ESPT4W-SW14	Bushing	2		
15	0000027001	ESPT4W-SW15	Bearing	4	6204	GB/T276
16	1000403008	ESPT4W-SW16	Castor	2	100×40	
17	1000426001	ESPT4W-SW17	Circlip	2		
18	1000523002	ESPT4W-SW18	Screw	2	M6×14	
19	0000028004	ESPT4W-SW19	Dowel pin	2	4×14	GB/T119.2=ISO2338
20	9000008903	ESPT4W-SW20	Wheel set kit	2		

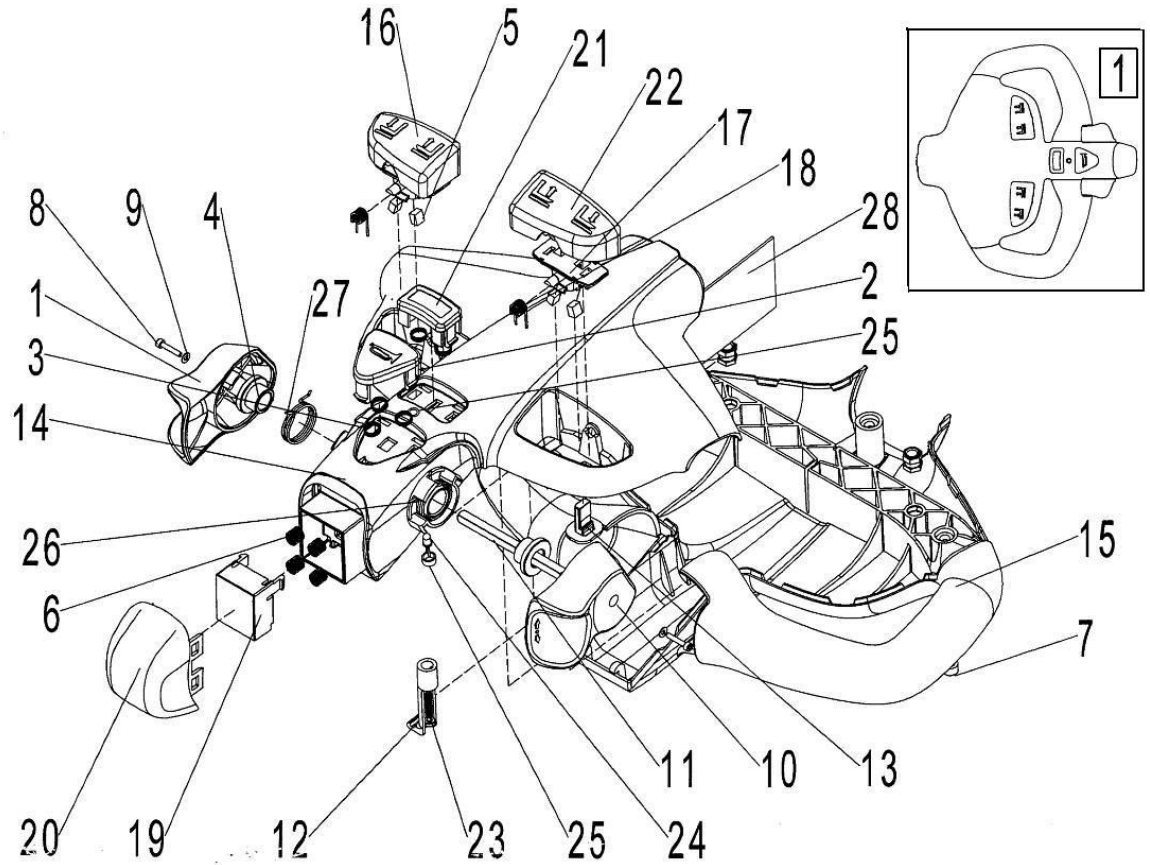
Fig.20 Handle assembly



**Fig.20 Handle Assembly**

No.	Art No.	Mobile Part #	Item	Qty.	Note	Standard
1	0000023047	ESPT4W-HA1	Screw	2	M8x25	GB/T70.1=ISO4762
2	1100100001	ESPT4W-HA2	Canbus handle C	1	94300-90	
3	9000010693	ESPT4W-HA3	Handle arm	1		
4	9000010694	ESPT4W-HA4	Rotating arm	1		
5	0000028024	ESPT4W-HA5	Dowel pin	1	4X16	GB/T 879.1
6	0000023075	ESPT4W-HA6	Screw	2	M3x20	GB/T70.1=ISO4762
7	900000832	ESPT4W-HA7	9 switch	1		
8	0000023056	ESPT4W-HA8	Screw	2	M4x12	GB/T70.1=ISO4762
9	9000010695	ESPT4W-HA9	Switch baseplate	1		
10	9000011289	ESPT4W-HA10	Spring	1		
11	0000023044	ESPT4W-HA11	Screw	1	M8x20	GB/T70.1=ISO4762
12	9000010696	ESPT4W-HA12	Bushing	1		
13	0000013002	ESPT4W-HA13	Harness	2	20X22X12	
14	9000010635	ESPT4W-HA14	Handle control wiring harness	1		

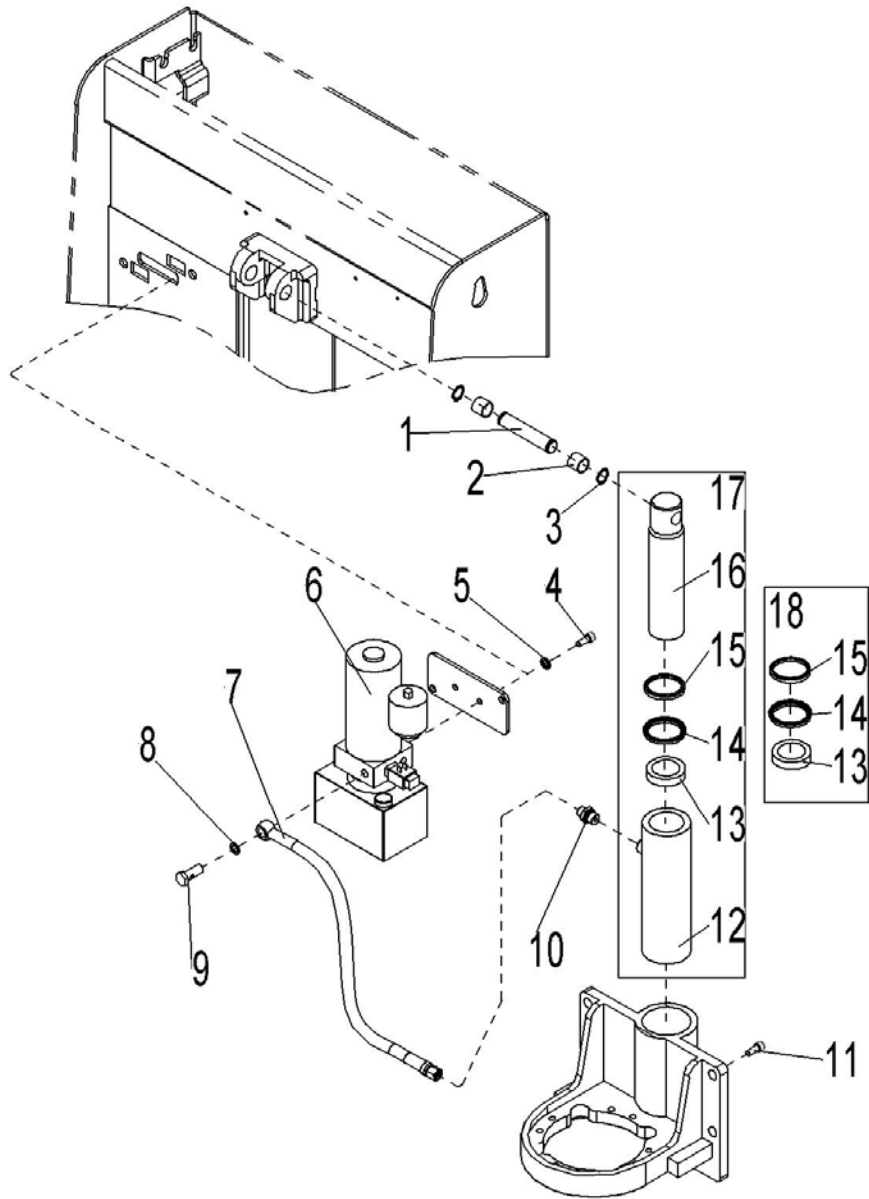
Fig.21 Canbus Handle



**Fig.21 Canbus Handle**

No.	Art No.	Mobile Part #	Item	Qty.	Note	Standard
1	1010114001	ESPT4W-CH1	Left drive knob	1		
2	1000114015	ESPT4W-CH2	Hon button	1		
3	1000131009	ESPT4W-CH3	Hon button spring	5		
4	1000113004	ESPT4W-CH4	Camshaft bushing	2		
5	1000137001	ESPT4W-CH5	Magnet body	4	▲	
6	1000131010	ESPT4W-CH6	Emergency reverse button spring	4		
7	0000023058	ESPT4W-CH7	Screw	3		GB/T70.1=ISO4762
8	0000023057	ESPT4W-CH8	Screw	2		GB/T70.1=ISO4762
9	0000025017	ESPT4W-CH9	Washer	2		GB/T95
10	1010114003	ESPT4W-CH10	Right drive knob	1		
11	1000107002	ESPT4W-CH11	Drive knob axle	1		
12	1000137002	ESPT4W-CH12	PCB clip	1		
13	1000134005	ESPT4W-CH13	Sensor	2		
14	1000103012	ESPT4W-CH14	Upper part of the handle	1		
15	1000103013	ESPT4W-CH15	Lower part of the handle	1		
16	1000114017	ESPT4W-CH16	Left button	1		
17	1000137003	ESPT4W-CH17	Magnet fixing seat	2		
18	1000131011	ESPT4W-CH18	Torsional spring	2		
19	1000114018	ESPT4W-CH19	Emergency reverse spring button seat	1		
20	1000114020	ESPT4W-CH20	Emergency reverse spring button cover	1		
21	1000114021	ESPT4W-CH21	Switch cover	1		
22	1000114022	ESPT4W-CH22	Right button	1		
23	0000023060	ESPT4W-CH23	Screw	1	ST4.2X25	GB/T845= ISO 7049
24	1000134006	ESPT4W-CH24	LED Bi-color light	1		
25	1000103014	ESPT4W-CH25	LED Bi-color light seat	1		
26	1000131012	ESPT4W-CH26	Right drive knob torsional spring	1		
27	1000131013	ESPT4W-CH27	Left drive knob torsional spring	1		
28	1100135001	ESPT4W-CH28	PCB	1		

Fig.22 Hydraulic Assembly

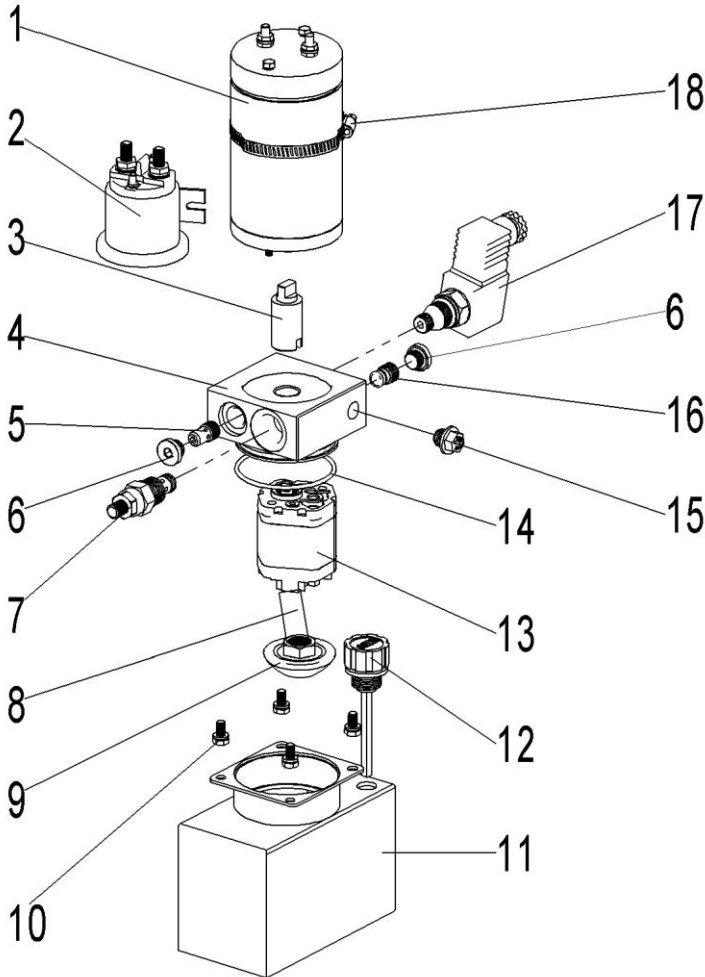


**Fig.22 Hydraulic Assembly**

No.	Art No.	Mobile Part #	Item	Qty.	Note	Standard
1	1020407001	ESPT4W-HYA1	Cylinder short axle	1		
2	0000013001	ESPT4W-HYA2	Bushing	2	20×23×20	
3	0000026003	ESPT4W-HYA3	Circlip	2	20	GB/T894.1
4	0000023067	ESPT4W-HYA4	Screw	2	M8x16	GB/T70.1=ISO4762
5	0000025001	ESPT4W-HYA5	Washer	2	8	GB/T93
6	9000010800	ESPT4W-HYA6	DC power unit	1		
7	9000010881	ESPT4W-HYA7	Hydraulic hose	1		
8	9000007280	ESPT4W-HYA8	Seal washer	1		
9	9000010697	ESPT4W-HYA9	Bolt	1		
10	9000007843	ESPT4W-HYA10	Joint	1		
11	0000023034	ESPT4W-HYA11	Screw	1	M10x20	GB/T70.1=ISO4762
12	9000010698	ESPT4W-HYA12	Cylinder body	1		
13	9000010699	ESPT4W-HYA13	Supporting ring	1	50X55X15	
14	9000010700	ESPT4W-HYA14	Y seal ring	1	50X60X6/7	
15	9000010701	ESPT4W-HYA15	Dust cover	1	50X58X5/6.5	
16	9000010702	ESPT4W-HYA16	Piston rod	1		
17	9000010703	ESPT4W-HYA17	Cylinder assembly	1		
18	9000010704	ESPT4W-HYA18	Seal kit	1		



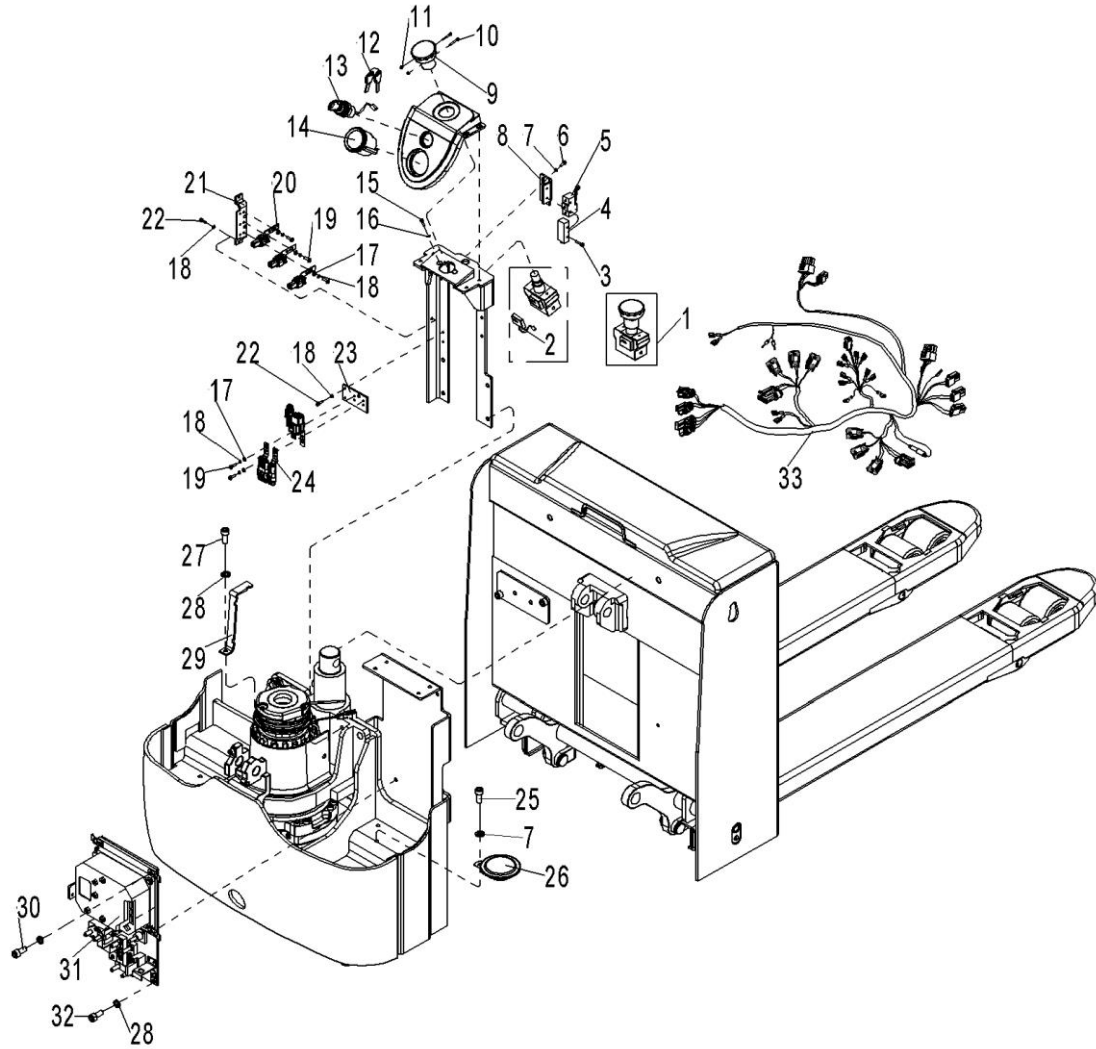
Fig.24 0.8KW Pump



**Fig.24 0.8KW Pump**

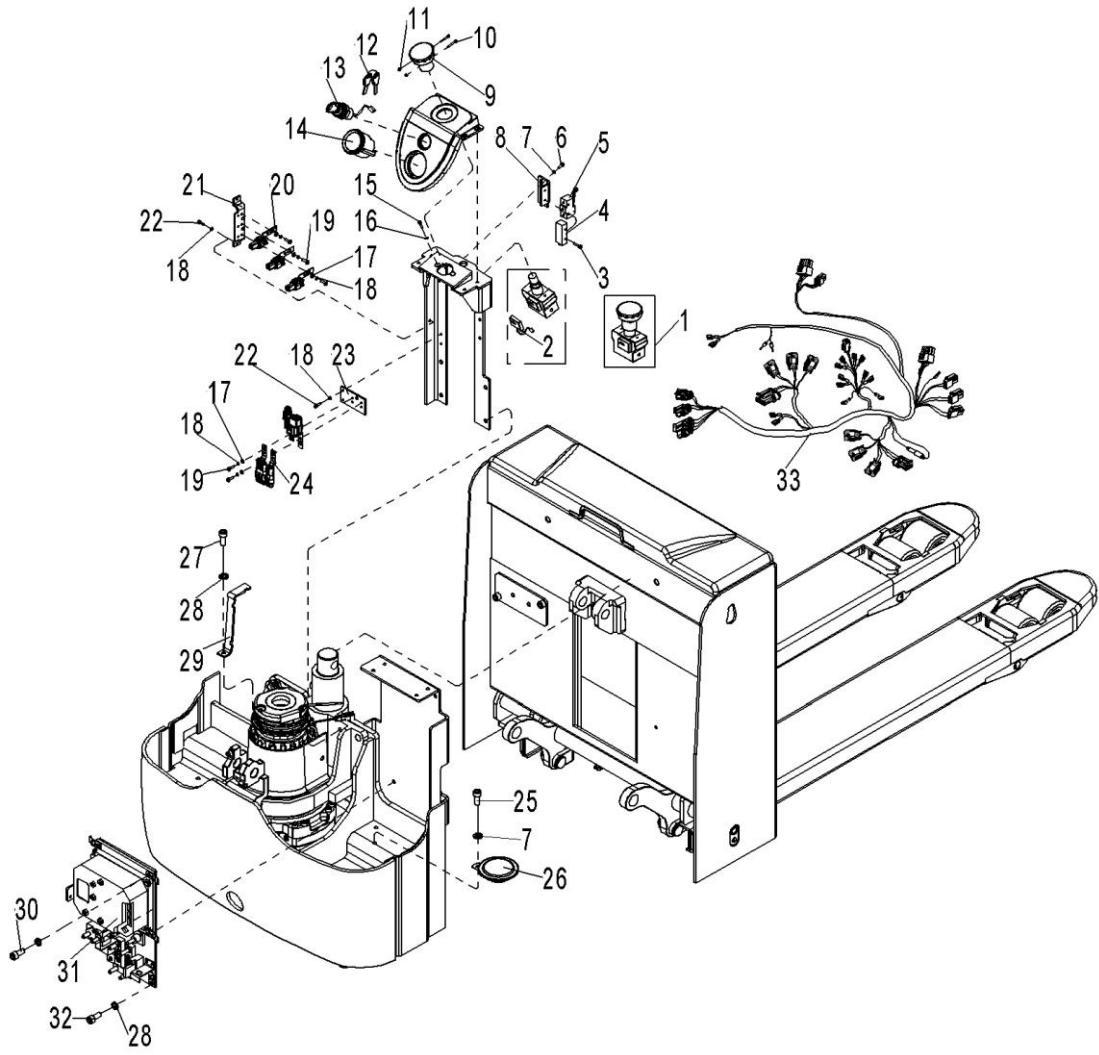
No.	Art No.	Mobile Part #	Item	Qty.	Note	Standard
1	9000010883	ESPT4W-P1	DC motor	1		
2	9000010208	ESPT4W-P2	Start switch	1		
3	9000010884	ESPT4W-P3	Shaft coupling	1		
4	9000010885	ESPT4W-P4	Valve	1		
5	9000010886	ESPT4W-P5	Valve	1		
6	9000010887	ESPT4W-P6	Plug	2		
7	9000010888	ESPT4W-P7	Overflow valve	1		
8	9000010889	ESPT4W-P8	Elbow	1		
9	9000010890	ESPT4W-P9	Strainer	1		
10	9000010891	ESPT4W-P10	Bolt	4		
11	9000010892	ESPT4W-P11	Cylinder	1		
12	9000010893	ESPT4W-P12	Cylinder cover	1		
13	9000010894	ESPT4W-P13	Gear pump	1		
14	9000010895	ESPT4W-P14	O ring	1		
15	9000010896	ESPT4W-P15	Plug	2		
16	9000010897	ESPT4W-P16	Check valve	1		
17	9000010898	ESPT4W-P17	Magnet valve	1		
18	9000010899	ESPT4W-P18	Hoop	1		

Fig. 26 Electrical Assembly



**Fig.26 Electrical Assembly**

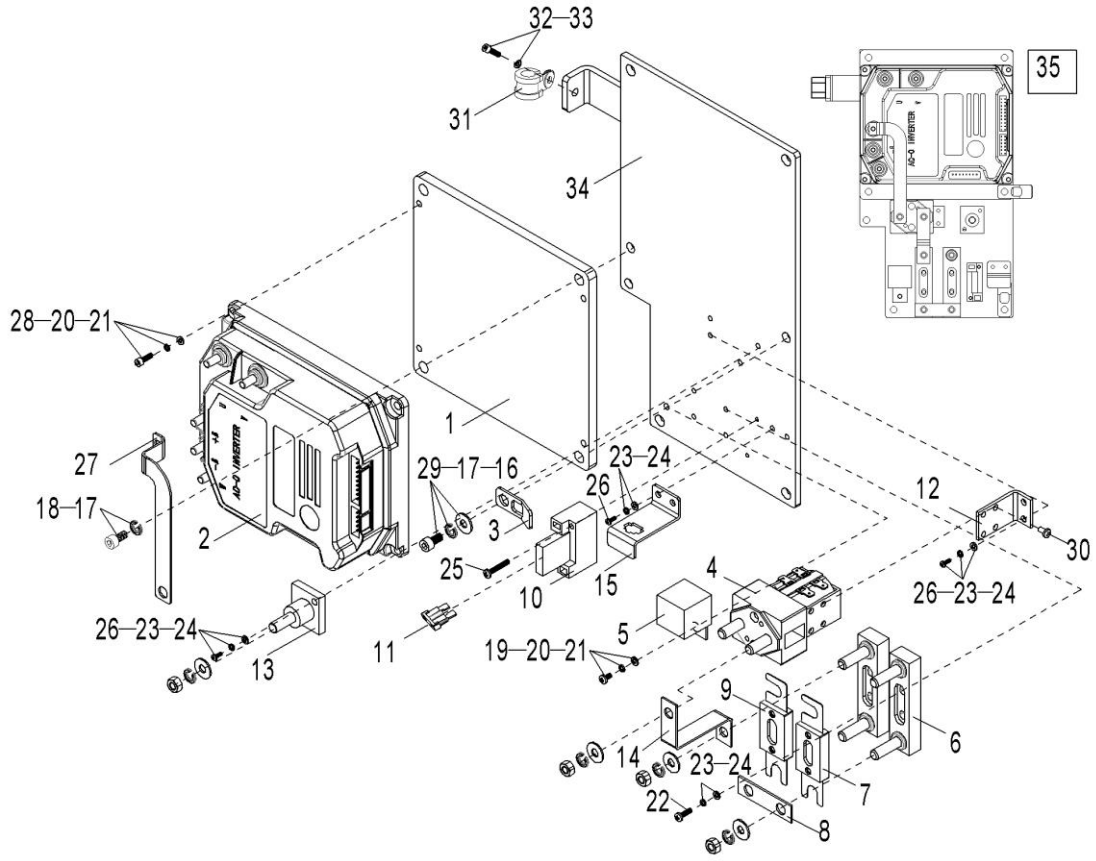
No.	Art No.	Mobile Part #	Item	Qty.	Note	Standard
1	9000008515	ESPT4W-EA1	DC power	1	ZDK32-350	
2	9000008517	ESPT4W-EA2	DC power	1		
3	0000023043	ESPT4W-EA3	Screw	2	M4x25	GB/T818= ISO7045
4	2040603002	ESPT4W-EA4	Protective	1		
5	9000000794	ESPT4W-EA5	Micro switch	1	RZ-15GW2S-B3	
6	0000023053	ESPT4W-EA6	Screw	2	M6x12	GB/T70.1=ISO4762
7	0000025006	ESPT4W-EA7	Washer	3	6	GB/T93
8	9000010710	ESPT4W-EA8	Assembly	1		
9	9000008516	ESPT4W-EA9	DC power	1	ZDK32-350	
10	0000023685	ESPT4W-EA10	Screw	2	M3x25	GB/T818= ISO7045
11	0000024002	ESPT4W-EA11	Nut	2	M3	GB/T6170= ISO4032
12	9000008519	ESPT4W-EA12	Key switch	1	LKS-101A	
13	9000008326	ESPT4W-EA13	Key switch	1	LKS-101A	
14	1000434025	ESPT4W-EA14	Indicator	1	CURTIS 803	
15	0000023107	ESPT4W-EA15	Screw	2	M5x16	GB/T70.1=ISO4762
16	0000025015	ESPT4W-EA16	Washer	2	5	GB/T93
17	0000025019	ESPT4W-EA17	Washer	2	4	GB/T95
18	0000025018	ESPT4W-EA18	Washer	9	4	GB/T93
19	0000023016	ESPT4W-EA19	Screw	5	M4x12	GB/T818= ISO7045
20	1000204002	ESPT4W-EA20	AMP	4		
21	9000010711	ESPT4W-EA21	Plate	1		
22	0000023056	ESPT4W-EA22	Screw	4	M4x12	GB/T70.1=ISO4762
23	9000010712	ESPT4W-EA23	Plate	1		
24	9000007981	ESPT4W-EA24	Connector	3		
25	0000023020	ESPT4W-EA25	Screw	2	M6x20	GB/T70.1=ISO4762
26	1000434015	ESPT4W-EA26	Horn	1	DC24V	
27	0000023067	ESPT4W-EA27	Screw	1	M8x16	GB/T70.1=ISO4762
28	0000025001	ESPT4W-EA28	Washer	5	8	GB/T93
29	9000010714	ESPT4W-EA29	Wire seat	1		



**Fig.26 Electrical Assembly**

No.	Art No.	Mobile Part #	Item	Qty.	Note	Standard
30	0000023172	ESPT4W-EA30	Screw	2	M8x30	GB/T70.1=ISO4762
31	9000010644	ESPT4W-EA31	Electrical control	1		
32	0000023047	ESPT4W-EA32	Screw	2	M8x25	GB/T70.1=ISO4762
33	9000010634	ESPT4W-EA33	Main control cable	1		

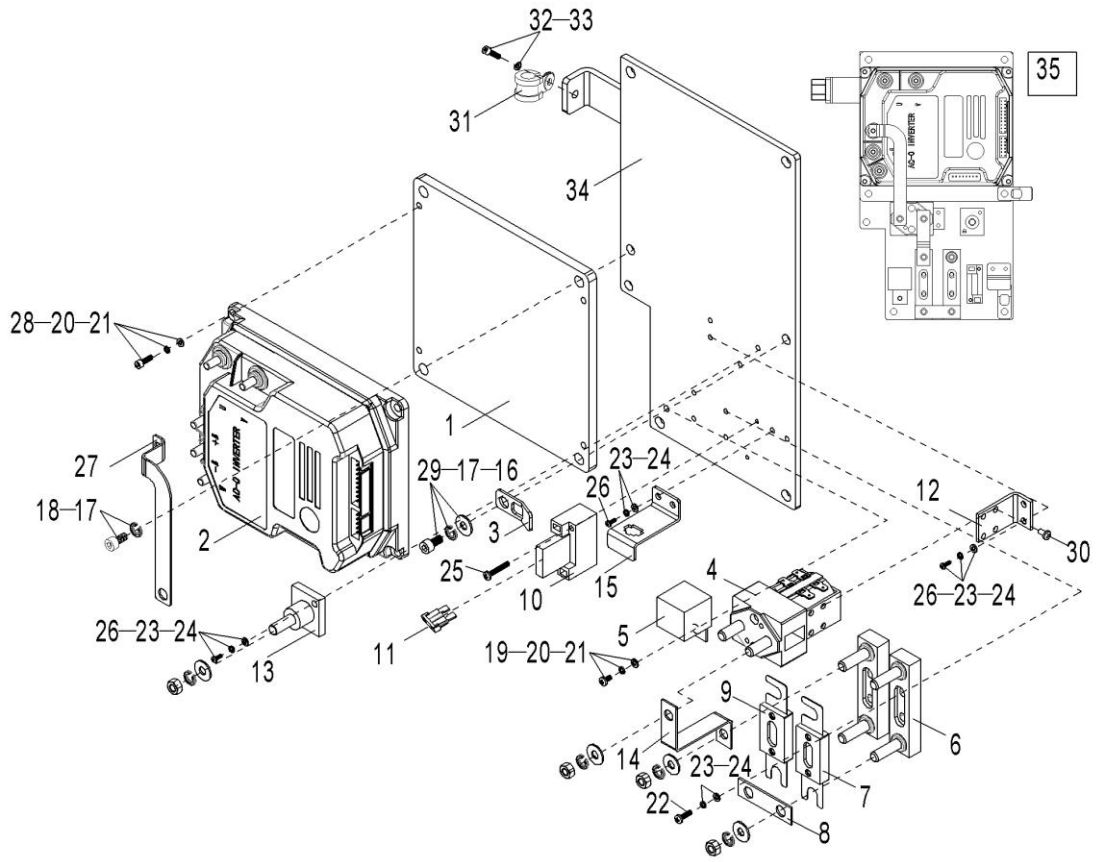
Fig.28 Electrical Control Assembly



**Fig.28 Electrical Control Assembly**

No.	Art No.	Mobile Part #	Item	Qty.	Note	Standard
1	9000010645	ESPT4W-ECA1	Aluminum plate	1		
2	9000008889	ESPT4W-ECA2	Controller	1	AC-0-24V/200A	
3	9000009791	ESPT4W-ECA3	Line hanging board	3		
4	1000434006	ESPT4W-ECA4	Traction motor contactor	1	C100/120 DC24V	
5	1000434041	ESPT4W-ECA5	Pump contactor	1	ACR01F-F-1AD DC24V	
6	1000434007	ESPT4W-ECA6	Fuse seat	2	SY Y	
7	1010434005	ESPT4W-ECA7	Fuse	1	80A	
8	9000010643	ESPT4W-ECA8	Copper bar	1		
9	2210434004	ESPT4W-ECA9	Fuse	1	150A	
10	1000434021	ESPT4W-ECA10	Fuse seat	1	BD-1X10A	
11	1000434040	ESPT4W-ECA11	Fuse	2	10A	
12	9000008598	ESPT4W-ECA12	Main contactor assembly plate	1		
13	1020434002	ESPT4W-ECA13	M 8terminal	1	BD-M8	
14	9000008374	ESPT4W-ECA14	Copper bar	1		
15	9000007679	ESPT4W-ECA15	Fixing frame	1		
16	0000025005	ESPT4W-ECA16	Washer	1	8	GB/T95
17	0000025004	ESPT4W-ECA17	Washer	2	8	GB/T93
18	0000023013	ESPT4W-ECA18	Screw	1	M8x16	GB/T70.1=ISO4762
19	0000023516	ESPT4W-ECA19	Screw	1	M5x10	GB/T818= ISO7045
20	0000025015	ESPT4W-ECA20	Washer	5	5	GB/T93
21	0000025014	ESPT4W-ECA21	Washer	5	5	GB/T95
22	0000023211	ESPT4W-ECA22	Screw	4	M4x16	GB/T818= ISO7045
23	0000025018	ESPT4W-ECA23	Washer	10	4	GB/T93
24	0000025019	ESPT4W-ECA24	Washer	10	4	GB/T95

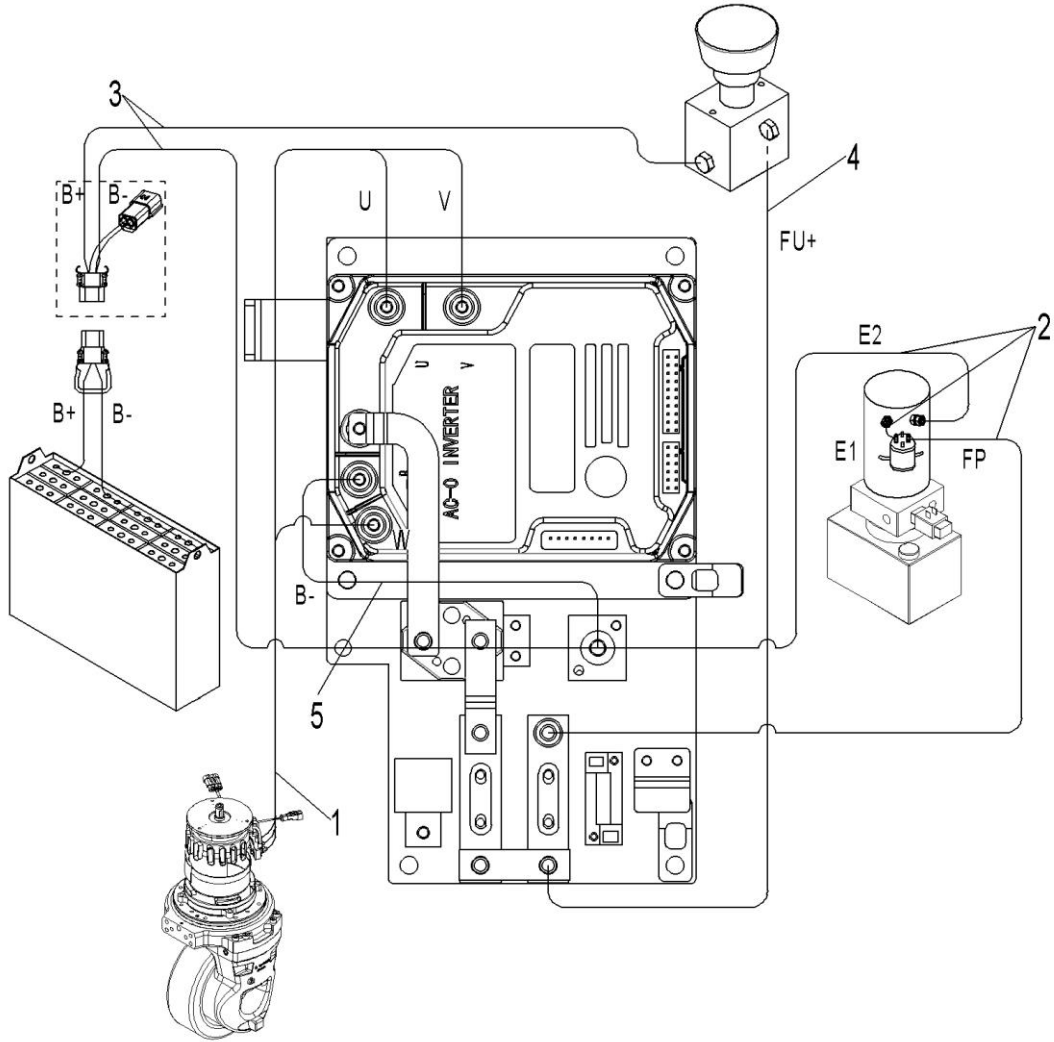




**Fig.28 Electric Control Assembly**

No.	Art No.	Mobile Part #	Item	Qty.	Note	Standard
25	0000023070	ESPT4W-ECA25	Screw	2	M3x25	GB/T70.1=ISO4762
26	0000023307	ESPT4W-ECA26	Screw	6	M4x10	GB/T818= ISO7045
27	9000010642	ESPT4W-ECA27	Copper bar	1		
28	0000023673	ESPT4W-ECA28	Screw	4	M5x16	GB/T70.1=ISO4762
29	0000023166	ESPT4W-ECA29	Screw	1	M8x20	GB/T70.1=ISO4762
30	0000023017	ESPT4W-ECA30	Screw	2	M4x5	GB/T818= ISO7045
31	9000008325	ESPT4W-ECA31	YGE hose clamp	1		
32	0000023040	ESPT4W-ECA32	Screw	1	M6x16	GB/T70.1=ISO4762
33	0000023055	ESPT4W-ECA33	Washer	1	6	GB/T95
34	9000010713	ESPT4W-ECA34	Electrical control assembly plate	1		
35	9000010644	ESPT4W-ECA35	Electrical control assembly	1		

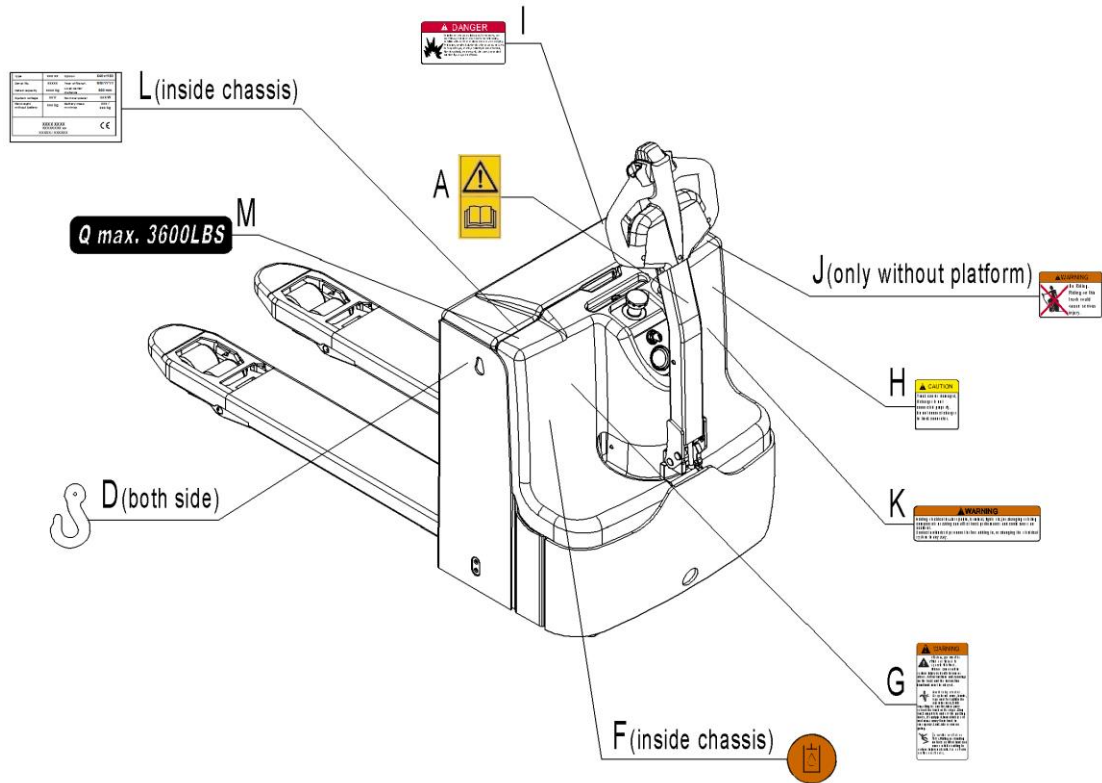
Fig.29 Main Cables



**Fig.29 Main Cables**

No.	Art No.	Mobile Part #	Item	Qty.	Note	Standard
1	9000010637	ESPT4W-MC1	Drive motor cable	1		
2	9000010638	ESPT4W-MC2	Pump motor cable	1		
3	9000010639	ESPT4W-MC3	Power supply cable	1		
4	9000010640	ESPT4W-MC4	FU+ cable	1		
5	9000010641	ESPT4W-MC5	B-cable	1		

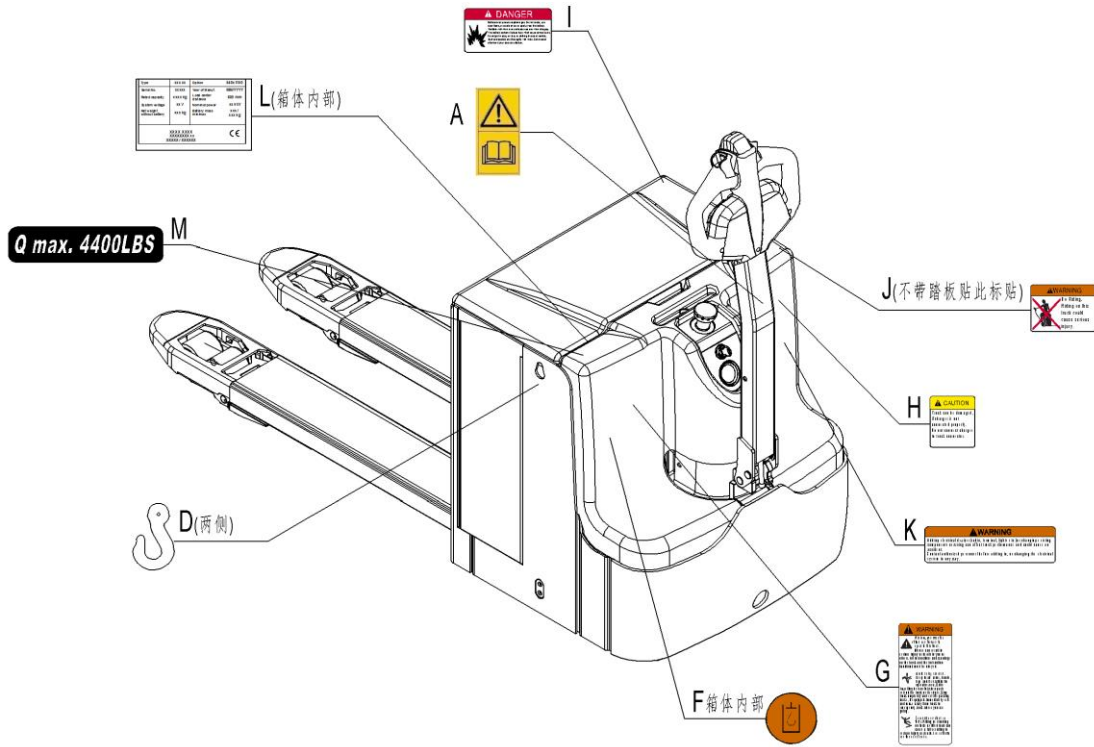
**Fig.33 Label (for US)**



**Fig.33 Label (for US)**

No.	Art No.	Mobile Part #	Item	Qty.	Note	Standard
A	9000003570	ESPT4W-L-A	Sticker to read and follow these instructions	1		
M	9000009405	ESPT4W-L-M	Load capacity (4400LBS)	1		
D	9000005967	ESPT4W-L-D	Crane hook label	2		
F	9000008555	ESPT4W-L-F	Filling sticker	1		
G	9000003575	ESPT4W-L-G	Warning label	1		
H	9000003576	ESPT4W-L-H	Warning label	1		
I	9000003577	ESPT4W-L-I	Warning label	1		
J	9000003580	ESPT4W-L-J	Warning label	1		
K	9000003579	ESPT4W-L-K	Warning label	1		

Fig.34 Label (for US) (side pulling)



**Fig.34 Label (for US) (side pulling)**

No.	Art No.	Mobile Part #	Item	Qty.	Note	Standard
A	9000003570	ESPT4W-LSP-A	Sticker to read and follow these instructions	1		
M	9000009405	ESPT4W-LSP-M	Load capacity (4400LBS)			
D	9000005967	ESPT4W-LSP-D	Crane hook label	2		
F	9000008555	ESPT4W-LSP-F	Filling sticker	1		
G	9000003575	ESPT4W-LSP-G	Warning label	1		
H	9000003576	ESPT4W-LSP-H	Warning label	1		
I	9000003577	ESPT4W-LSP-I	Warning label	1		
J	9000003580	ESPT4W-LSP-J	Warning label	1		
K	9000003579	ESPT4W-LSP-K	Warning label	1		



### Easy worn parts list

No.	Art No.	Item	Qty.	Fig./Position	Note	Standard
1	9000008047	Rubber ring	2	Fig.1/2	Appearance	
2	9000008047	Rubber ring	2	Fig.2/3		
3	9000008047	Rubber ring	2	Fig.3/3		
4	9000008047	Rubber ring	2	Fig.4/3		
5	0000013024	Bushing 25×28×20	2	Fig.5/10	Truck frame	
6	0000013001	Bushing 20×23×20	2	Fig.5/11		
7	0000027006	Bushing 25×29×25	2	Fig.5/12		
8	0000027005	Bushing 20×22×12	4	Fig.5/18		
9	0000030001	Grease nipple 6	2	Fig.5/21		JB/T7940.4
10	0000013024	Bushing 25×28×20	2	Fig.6/10		
11	0000013001	Bushing 20×23×20	2	Fig.6/11		
12	0000027006	Bushing 25×29×25	2	Fig.6/12		
13	0000027005	Bushing 20×22×12	4	Fig.6/18		
14	0000030001	Grease nipple 6	2	Fig.6/21		
15	0000013024	Bushing 25×28×20	2	Fig.7/10		
16	0000013001	Bushing 20×23×20	2	Fig.7/11		
17	0000027006	Bushing 25×29×25	2	Fig.7/12		
18	0000027005	Bushing 20×22×12	4	Fig.7/18		
19	0000030001	Grease nipple 6	2	Fig.7/21		JB/T7940.4
20	0000027060	Bearing 6202	12	Fig.8/5		GB/T276=ISO3290
21	0000013024	Bushing 25×28×20	2	Fig.8/17		
22	0000013001	Bushing 20×23×20	2	Fig.8/18		
23	0000027006	Bushing 25×29×25	2	Fig.8/19		
24	0000027005	Bushing 20×22×12	4	Fig.8/22		
25	0000030001	Grease nipple 6	2	Fig.8/25	JB/T7940.4	
26	1000516001	Entry roller	2	Fig.9/2	Load roller (EU)	
27	0000030001	Grease nipple 6	2	Fig.9/6		JB/T7940.4
28	0000027005	Bushing 20×22×12	4	Fig.9/7		
29	0000027001	Bearing 6204	8/4(D/S)	Fig.9/10		GB/T276=ISO3290
30	9000008791	Load roller 84X84	4(D)	Fig.9/11		
31	9000002333	Harness 18×20×12	4(D)	Fig.9/13		

32	0000027002	Bearing	2	Fig.19/2	Steering wheel assembly	GB/T296
33	1000419001	Spring	2	Fig.19/8		
34	1000413002	Bushing 12x15x15	4	Fig.19/9		
35	0000027001	Bearing 6204	4	Fig.19/15		GB/T276=ISO3290
36	1000403008	Castor 100X40	2	Fig.19/16		
37	900000832	9 interlock switch	1	Fig.20/7	Handle assembly	
38	9000001928	Air spring	1	Fig.20/10		
39	9000010696	Seal bushing	1	Fig.20/12		
40	0000013002	Harness 20X22X12	2	Fig.20/13		
41	9000010699	Supporting ring 50X55X15	1	Fig.22/13	Hydraulic assembly	
42	9000010700	Y seal ring 50X60X6/7	1	Fig.22/14		
43	9000010701	Dust ring 50X58X5/6.5	1	Fig.22/15		
44	9000010706	Supporting ring 56X61X15	1	Fig.23/12		
45	9000010181	Y ring 56X66X10/11	1	Fig.23/13		
46	9000010180	Dust ring 56X64X5/6.5	1	Fig.23/14		
47	9000000794	Micro switch	1	Fig.26/5	Electrical assembly	
48	9000000794	Micro switch	1	Fig.27/5		
49	1010434005	Fuse 80A	1	Fig.28/7	Electrical control assembly	
50	2210434004	Fuse 150A	1	Fig.28/9		
51	1000434040	Fuse	2	Fig.28/11		



**MOBILE INDUSTRIES, INC.**  
3750B Laird Rd - Unit 2 & 3  
Mississauga ON, L5L 0R6  
Canada

Toll Free: 1 800 527 4612 • Local 905 279 5370  
Email: [info@mobilept.com](mailto:info@mobilept.com)

**MOBILEPT.COM**