

PARTS BREAKDOWN

ESET33N SEMI-ELECTRIC

VERSION	FEBRUARY 2016
FROM SERIAL NUMBER	15150600001
FROM DATE	2015 / 06 / 01
MODEL	ESET33N SEMI-ELECTRIC PALLET TRUCK
APPLICABLE PRODUCTS	ESET33N

Catalogue

Fig. 1 Fork Frame	3
Fig. 2 Load Roller.....	5
Fig. 3.1 Drive system	7
Fig 3.2 Drive system (Amer).....	9
Fig. 4 Hydraulic system.....	11
Fig. 5.1 Drive wheel	13
Fig. 5.2 Drive wheel (Amer).....	15
Fig. 6 Castors	16
Fig. 7 Tiller	18
Fig. 8 Tiller arm	20
Fig. 9 Connection of the head.....	22
Fig. 10 Control system	24
Fig. 11 Electrical system.....	26
Fig. 12 Truck body	28
Fig. 13 Cables.....	30
Fig. 14 Sticker for EU.....	32
Fig. 15 Sticker for US.....	33
Easy worn parts list	34

Fig. 1 Fork Frame

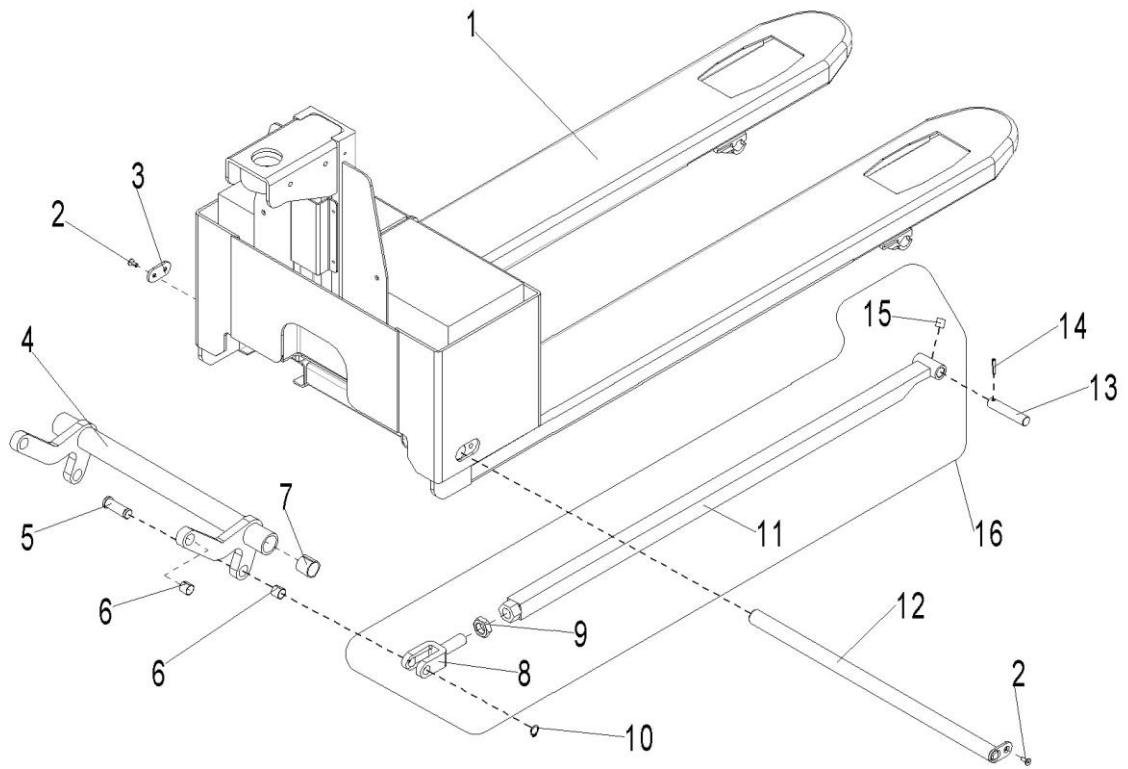


Fig. 1 Fork Frame

No.	Art No.	Mobile Part #	Description	Qty.	Note	Standard
2	1000523002	ESET3-EFF2	Screw	3		
3	1000504001	ESET3-EFF3	Fixing plate	1		
4	9000001957	ESET3-EFF4-20.5	Rock arm	1	540	
	9000003555	ESET3-EFF4-27	Rock arm	1	685	
5	9000001973	ESET3-EFF5	Shaft	2		
6	0000013011	ESET3-EFF6	Bushing	4	16×18×15	
7	0000027006	ESET3-EFF7	Bushing	2	25×29×25	
8	9000001966	ESET3-EFF8	Push rod fork	2		
9	0000024044	ESET3-EFF9	Thin nut	2		GB/T6173=ISO8675
10	0000026019	ESET3-EFF10	Retaining ring	2		GB/T894.1
11	9000001967	ESET3-EFF11-1150	Push rod	2	1150	
	9000001996	ESET3-EFF11-1220	Push rod	2	1220	
	9000009434	ESET3-EFF11-800	Push rod	2	800	
	9000010053	ESET3-EFF11-1000	Push rod	2	1000	
12	9000001971	ESET3-EFF12-20.5	Long shaft	1	540	
	9000003561	ESET3-EFF12-27	Long shaft	1	685	
13	9000002327	ESET3-EFF13	Shaft	2		
14	0090000744	ESET3-EFF14	Roll pin	2	5×28	ISO8748
15	0000030001	ESET3-EFF15	Oil cup	2	6	JB/T7940.4
16	9000010394	ESET3-EFF16-1150	Push rod kit	2	1150	
	9000010395	ESET3-EFF16-1220	Push rod kit	2	1220	
	9000010396	ESET3-EFF16-800	Push rod kit	2	800	
	9000010397	ESET3-EFF16-1000	Push rod kit	2	1000	

Fig. 2 Load Roller

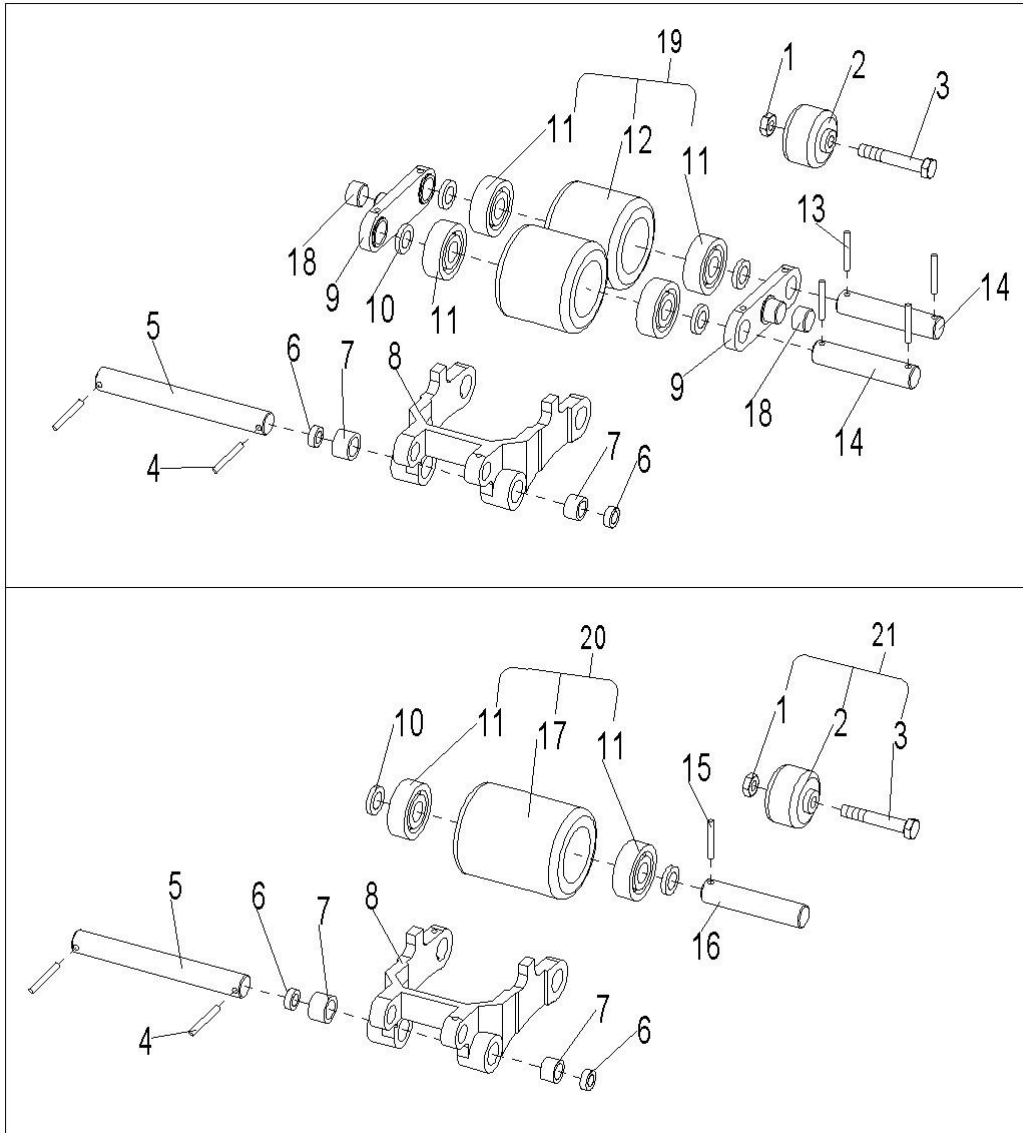


Fig. 2 Load Roller

No.	Art No.	Mobile Part #	Description	Qty.	Note	Standard
1	0000023005	ESET3-ELR1	Lock nut	2	M10	GB/T889.1=ISO7040
2	1000516001	ESET3-ELR2	Enter roller	2		
3	0000023004	ESET3-ELR3	Screw	2	M10×60	GB/T5782=ISO4014
4	0000028016	ESET3-ELR4	Roll pin	4	∅5×30	GB/T879.1=ISO8752
5	9000010582	ESET3-ELR5	Shaft for roller	2		
6	1070302002	ESET3-ELR6-7	Anti-grazing roller	2	∅20×∅35×7	
	1070302005	ESET3-ELR6-8		2	∅20×∅35×8	
7	0000027005	ESET3-ELR7	Bushing	4	∅22×∅20×12	
8	9000010581	ESET3-ELR8	Frame for load roller	2		
	9000011540	ESET3-ELR8		2		
9	9000002326	ESET3-ELR9	Link plate	4	Double wheel	
10	1070325001	ESET3-ER10	Washer	8/4(D/S)		
11	0000027001	ESET3-ELR11	Bearing	8/4(D/S)	6204	GB/T276=ISO3290
12	9000002456	ESET3-ELR12	Wheel	4(Double)	∅80×70	
13	0090000745	ESET3-ELR13	Roll pin	8(Double)	∅5×35	ISO8748
14	9000010583	ESET3-ELR14	Shaft for wheel	4(Double)	∅20×94	
15	0090000745	ESET3-ELR15	Roll pin	2(Single)	∅5×35	ISO8748
16	2000407004	ESET3-ELR16	Shaft for wheel	2(Single)	∅20×131	
17	2000416003	ESET3-ELR17	Wheel	2(Single)	∅80×93	
18	9000002333	ESET3-ELR18	Bushing	4 (Double)	∅18×∅20×12	
19	9000010398	ESET3-ELR19	Load wheel	4		
20	9000010399	ESET3-ELR20	Load wheel	2		
21	9000010400	ESET3-ELR21	Roller kit	2		

Fig. 3.1 Drive system

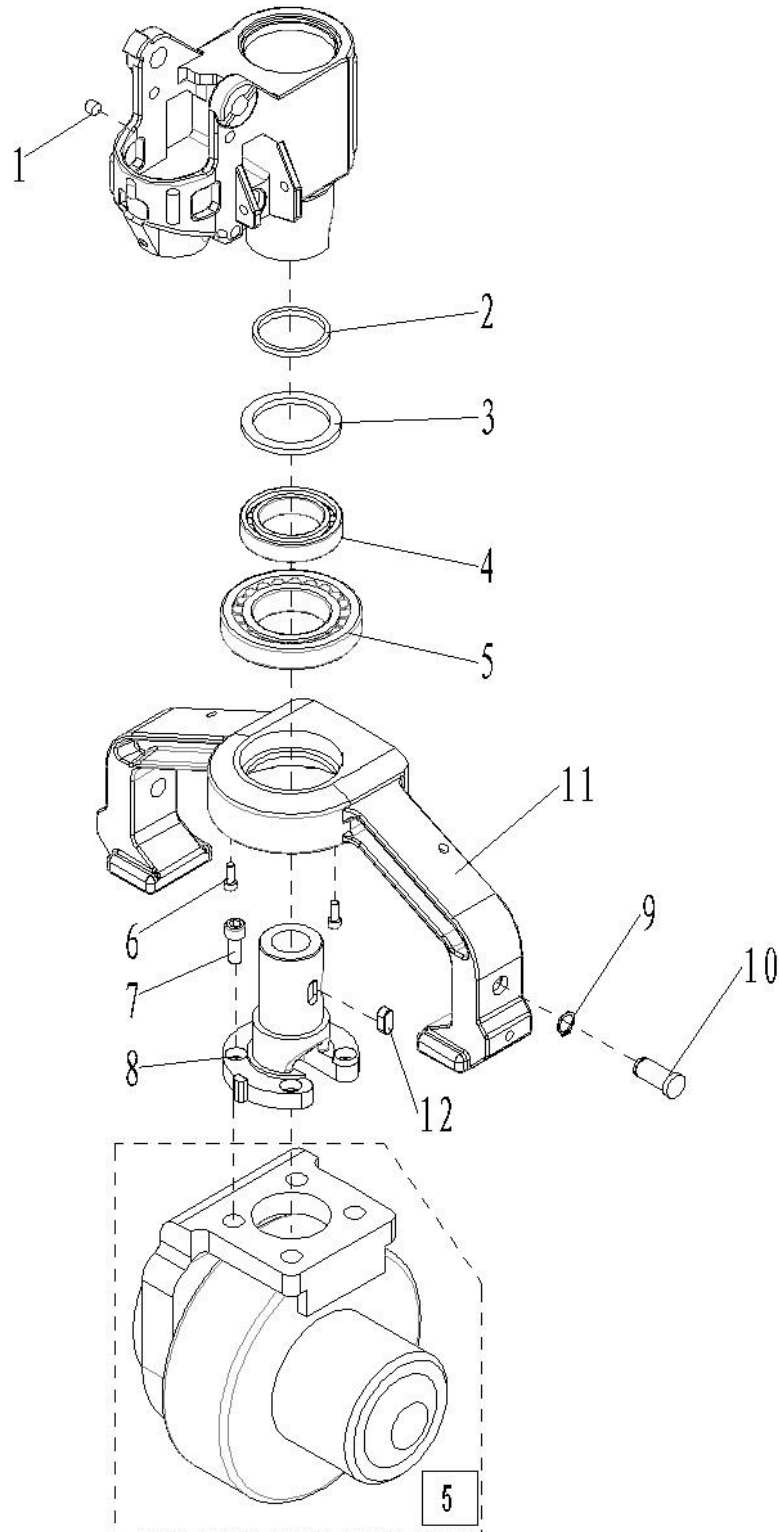


Fig. 3.1 Drive system

No.	Art No.	Mobile Part #	Description	Qty.	Note	Standard
1	0090000302	ESET3-EDS1	Screw	1	M10×12	GB/T80=ISO4029
2	9000002433	ESET3-EDS2	Washer	1		
3	9000002431	ESET3-EDS3	Dusty cover	1		
4	0000027065	ESET3-EDS4	Bearing	1	6010	GB/T276=ISO3290
5	0090000040	ESET3-EDS5	Tapered roller bearing	1	30212	GB/T297
6	0000023042	ESET3-EDS6	Screw	2	M6×10	GB/T70.1=ISO4762
7	0000023088	ESET3-EDS7	Screw	4	M10×25	GB/T70.1=ISO4762
8	9000002432	ESET3-EDS8	Connection flange	1		
9	0000026019	ESET3-EDS9	Retaining ring	2	16	GB/T894.1
10	9000001973	ESET3-EDS10	Shaft	2		
11	9000002430	ESET3-EDS11	Drive wheel block	1		
12	0090000303	ESET3-EDS12	Flat key	1	10×8×22	GB/T1096
⑤	9000001023	ESET3-EDS13	Drive wheel	1		

Fig 3.2 Drive system (Amer)

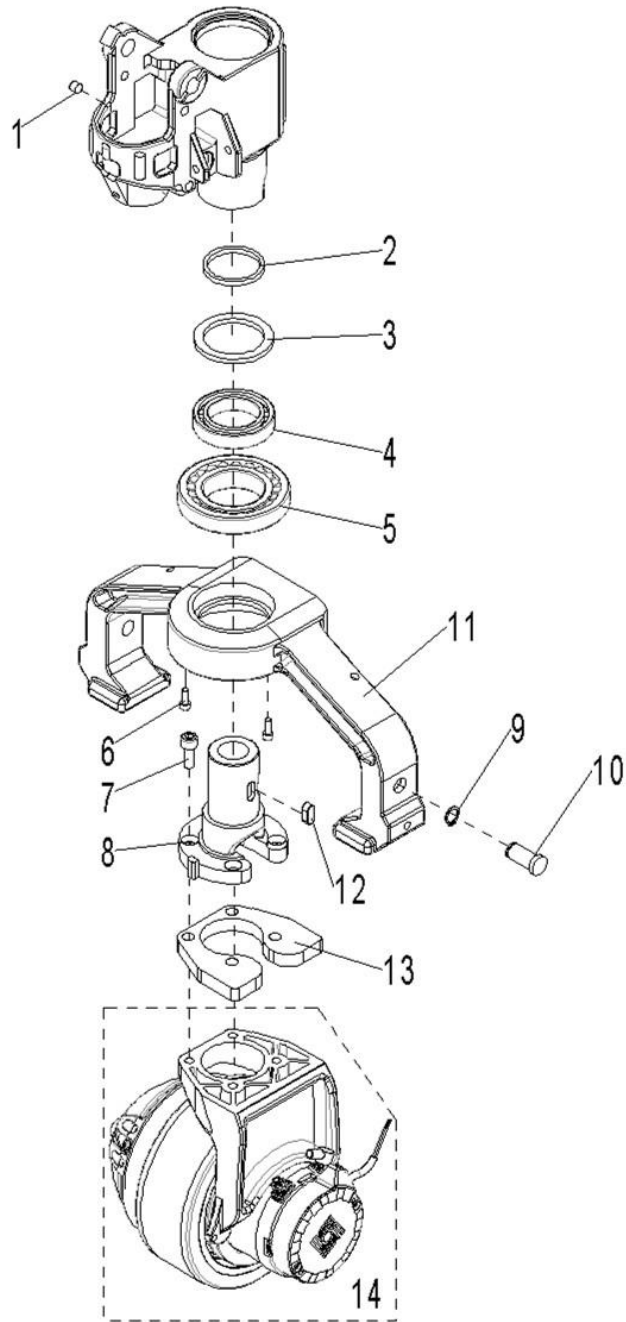


Fig. 3.2 Drive system

No.	Art No.	Mobile Part #	Description	Qty.	Note	Standard
1	0090000302	ESET3-EDSA1	Screw	1	M10×12	GB/T80=ISO4029
2	9000002433	ESET3-EDSA2	Washer	1		
3	9000002431	ESET3-EDSA3	Dusty cover	1		
4	0000027065	ESET3-EDSA4	Bearing	1	6010	GB/T276=ISO3290
5	0090000040	ESET3-EDSA5	Tapered roller bearing	1	30212	GB/T297
6	0000023042	ESET3-EDSA6	Screw	2	M6×10	GB/T70.1=ISO4762
7	0000023088	ESET3-EDSA7	Screw	4	M10×25	GB/T70.1=ISO4762
8	9000002432	ESET3-EDSA8	Connection flange	1		
9	0000026019	ESET3-EDSA9	Retaining ring	2	16	GB/T894.1
10	9000001973	ESET3-EDSA10	Shaft	2		
11	9000002430	ESET3-EDSA11	Drive wheel block	1		
12	0090000303	ESET3-EDSA12	Flat key	1	10×8×22	GB/T1096
13	9000007760	ESET3-EDSA13	Frame	1		Only for PU
14	9000012536	ESET3-EDSA14PU	Drive wheel PU	1		
	9000012542	ESET3-EDSA14RB	Drive wheel RB	1		

Fig. 4 Hydraulic system

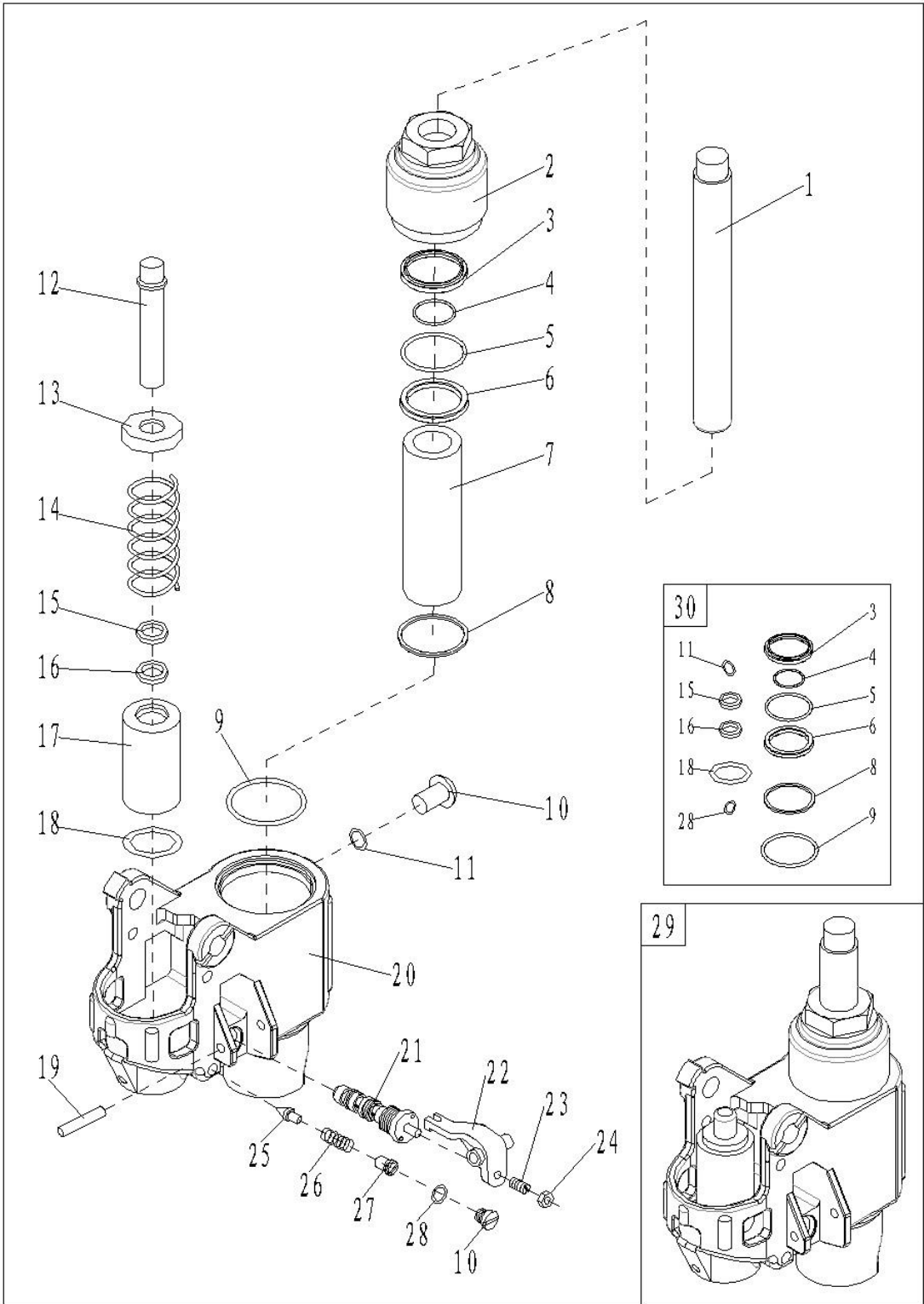


Fig. 4 Hydraulic system

No.	Art No.	Mobile Part #	Description	Qty.	Note	Standard
1	9000002466	ESET3-EHS1	Piston rod	1		
2	9000002467	ESET3-EHS2	Cover	1		
3	0090000230	ESET3-EHS3	Dust band	1	30×38×6.5	GB/T10708.3
4	0000022304	ESET3-EHS4	O-ring	1	30×3.55	GB/T3452.1=ISO3601
5	0000022309	ESET3-EHS5	O-ring	1	45×3.55	GB/T3452.1=ISO3601
6	0000022226	ESET3-EHS6	Seal ring	1	30×40×6	GB/T10708.1
7	9000002468	ESET3-EHS7	Cylinder body	1		
8	0000022210	ESET3-EHS8	O-ring	1	40×3.55	GB/T3452.1=ISO3601
9	0000022025	ESET3-EHS9	O-ring	1		GB1235
10	1070202001	ESET3-EHS10	Screw	2		
11	1500222002	ESET3-EHS11	Seal ring	1		
12	9000002462	ESET3-EHS12	Small piston	1		
13	1070204002	ESET3-EHS13	Spring cover	1		
14	9000002461	ESET3-EHS14	Spring	1		
15	0090000273	ESET3-EHS15	Dust band	1		GB/T10708.3
16	0000022156	ESET3-EHS16	Y-ring	1		GB/T10708.1
17	1500202003	ESET3-EHS17	Small cylinder body	1		
18	1500222001	ESET3-EHS18	Seal ring	1		
19	0000028135	ESET3-EHS19	Pin	1		GB/T879.1=ISO8752
20	9000002458	ESET3-EHS20	Pump body	1		
21	1500200001	ESET3-EHS21	Vale parts	1		
22	1500205002	ESET3-EHS22	Swing lever	1		
23	0000023551	ESET3-EHS23	Screw	1		GB/T73= ISO2342
24	0000024112	ESET3-EHS24	Nut	1		GB/T41
25	2800237007	ESET3-EHS25	Safety vale	1		
26	1500231006	ESET3-EHS26	Vale spring	1		
27	1500223005	ESET3-EHS27	Adjust screw	1		
28	0000025021	ESET3-EHS28	Washer	1		JB/T982-1977
29	9000002527	ESET3-EHS29	Hydraulic system	1		
30	9000002528	ESET3-EHS30	Seal-kit of pump	1		

Fig. 5.1 Drive wheel

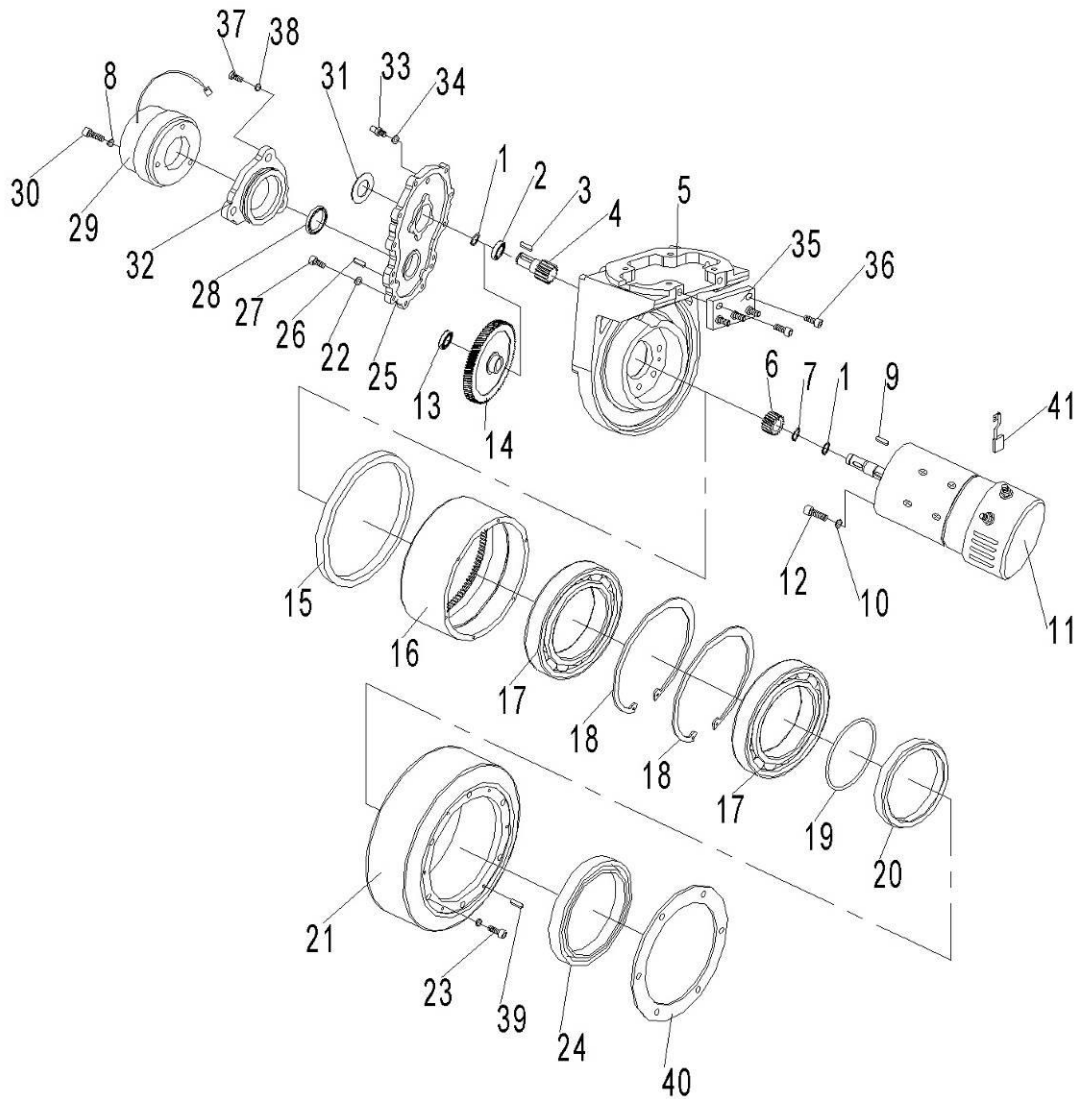


Fig. 5.1 Drive wheel

No.	Art No.	Mobile Part #	Description	Qty.	Note	Standard
1	0000026005	ESET3-EDW1	Retaining ring	2	17	GB/T894.1
2	0000027068	ESET3-EDW2	Bearing	1	6203	GB/T276=ISO3290
3	0000036005	ESET3-EDW3	Flat key	1	5X18	GB/T1096
4	9000002136	ESET3-EDW4	Gear shaft	1	19EL100005	
5	9000002137	ESET3-EDW5	Gear box	1	19EL100001	
6	1070309001	ESET3-EDW6	Small gear	1		
7	0000026004	ESET3-EDW7	Retaining ring	1	15	GB/T894.1
8	0000025009	ESET3-EDW8	Elastic washer	3	4	GB/T93

9	0000036002	ESET3-EDW9	Flat key	1	5X15	GB/T1096
10	0000025020	ESET3-EDW10	Washer	5	8	JB1002
11	9000002138	ESET3-EDW11	Magnet motor	1	0.65KW	
12	0000023061	ESET3-EDW12	Screw	5	M8X25	GB/T70.1=ISO4762
13	0000027086	ESET3-EDW13	Bearing	1	61905	GB/T276=ISO3290
14	1070309002	ESET3-EDW14	Big gear	1		
15	0090000178	ESET3-EDW15	Skeleton oil seal	1	160X174X10	GB9877.1
16	9000002139	ESET3-EDW16	Internal gear	1	19EL100008	
17	0090000179	ESET3-EDW17	Bearing	2	61824	GB/T276=ISO3290
18	0090000180	ESET3-EDW18	Retaining ring	2	150	GB/T894.1
19	0090000181	ESET3-EDW19	O-ring	1	115X2.65	GB/T3452.1=ISO3601
20	9000002140	ESET3-EDW20	Block filter seal	1	19EL100009	
21	9000002141	ESET3-EDW21	Wheel	1	19EL110000	
22	0000025006	ESET3-EDW22	Elastic washer	11	6	GB/T93
23	0090000182	ESET3-EDW23	Screw	10	M5X14	GB/T70.1=ISO4762
24	9000002142	ESET3-EDW24	Sealing ring	1	19EL100011	
25	1070302007	ESET3-EDW25	Gear box cover	1		
26	0000028144	ESET3-EDW26	Roll pin	2	B6X20	GB/T120.2
27	0000023063	ESET3-EDW27	Screw	11	M6X16	GB/T70.1=ISO4762
28	0090000183	ESET3-EDW28	Skeleton oil seal	1	17X28X7	GB9877.1
29	1070335002	ESET3-EDW29	Electromagnetic	1		
30	0000023674	ESET3-EDW30	Screw	3	M4X45	GB/T70.1=ISO4762
31	1070302008	ESET3-EDW31	Cover	1		
32	1070302009	ESET3-EDW32	Protection cover	1		
33	1000237001	ESET3-EDW33	Vent-plug	1	M10X1	
34	0000025021	ESET3-EDW34	Combination	1	10	JB982
35	1070302010	ESET3-EDW35	Cable fixing	1		
36	0000023675	ESET3-EDW36	Screw	2	M5X16	GB/T70.2=ISO7380
37	0000023065	ESET3-EDW37	Screw	3	M5X25	GB/T70.2=ISO7380
38	0000025012	ESET3-EDW38	Elastic washer	13	5	GB/T93
39	0090000184	ESET3-EDW39	Roll pin	2	5x20	GB/T119.1
40	0090000185	ESET3-EDW40	O-ring	1	140x2.65	GB/T3452.1=ISO3601
41	9000002143	ESET3-EDW41	Carbon brush	1		

Fig. 5.2 Drive wheel (Amer)

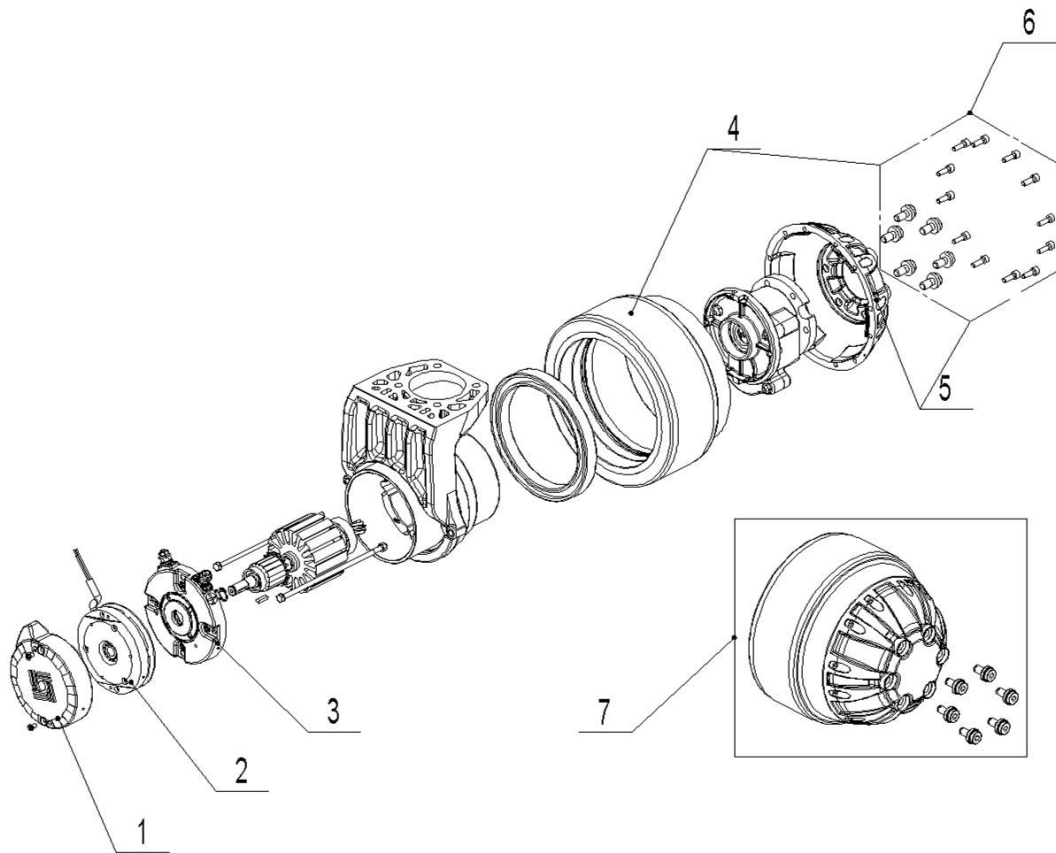


Fig. 5.2 Drive wheel (Amer)

No.	Art No.	Mobile Part #	Description	Qty.	Note	Standard
1	9000010340	ESET3-EDWA1	Brake cover	1		
2	9000009821	ESET3-EDWA2	Electric brake	1		
3	9000012537	ESET3-EDWA3	End cap complete	1	Include	
4	9000012538	ESET3-EDWA4PU	Wheel (D.200) kit	1	PU	
	9000012543	ESET3-EDWA4RB	Wheel (D.230) kit	1	Rubber	
5	9000012539	ESET3-EDWA5	Hub kit	1		
6	9000012540	ESET3-EDWA6	Screw kit	1		
7	9000012541	ESET3-EDWA7	Cover kit			

Fig. 6 Castors

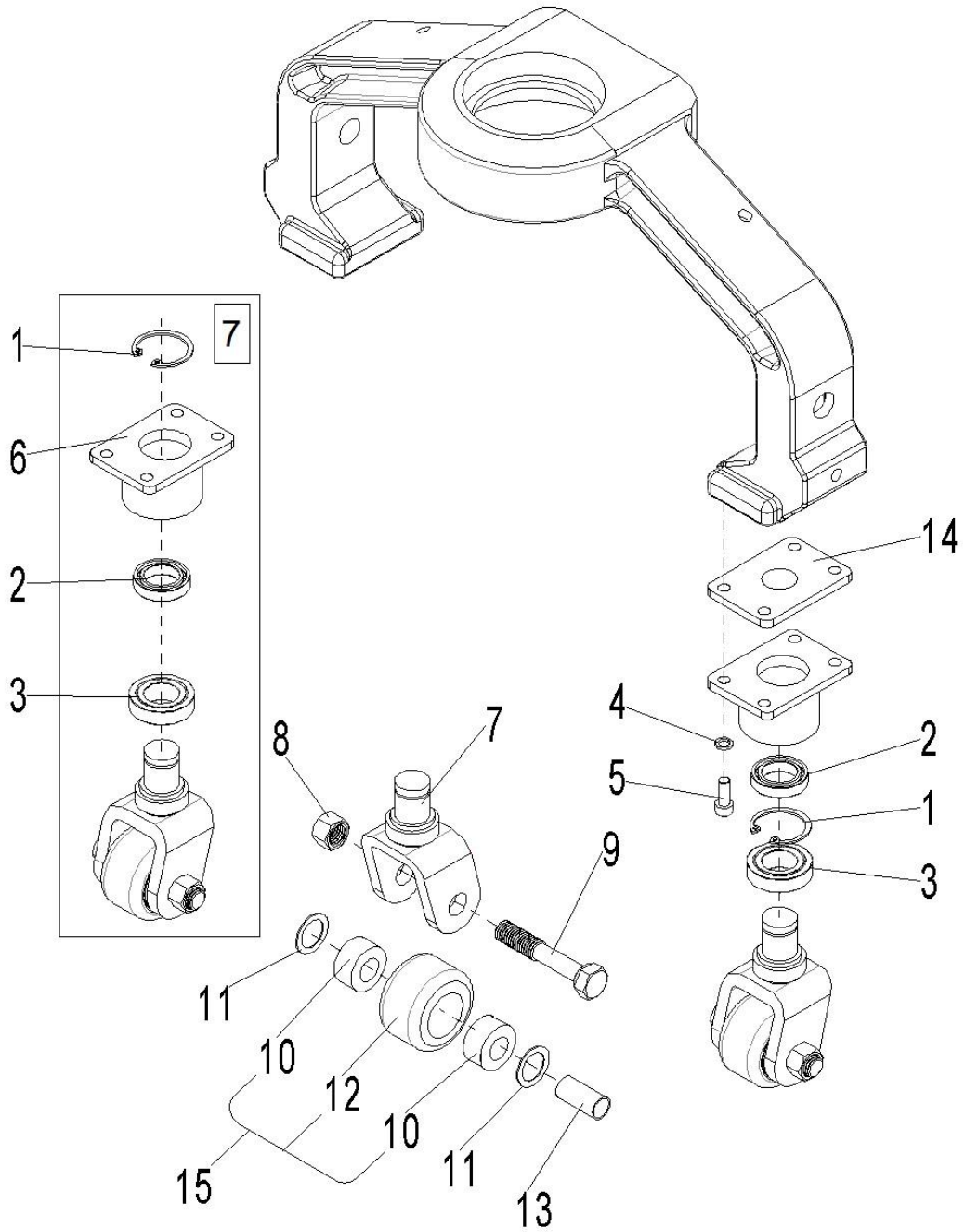


Fig. 6 Castors

No.	Art No.	Mobile Part #	Description	Qty.	Note	Standard
1	0000026003	ESET3-EC1	Retaining ring	2	20	GB/T894.1
2	0000027082	ESET3-EC2	Bearing	2	61804	GB/T276=ISO3290
3	0090000079	ESET3-EC3	Bearing	2	32904	GB/T297
4	0000025010	ESET3-EC4	Elastic washer	8	6	GB/T93
5	0000023040	ESET3-EC5	Screw	8	M6x16	GB/T70.1=ISO4762
6	9000007432	ESET3-EC6	Wheel frame	2		
7	9000007433	ESET3-EC7	Castor frame	2		
8	0000024006	ESET3-EC8	Lock nut	2	M12	GB/T889.1
9	0090000169	ESET3-EC9	Screw	2	M12x65	GB/T5780=ISO4016
10	0000027037	ESET3-EC10	Bearing	4		GB/T276=ISO3290
11	1070225001	ESET3-EC11	Washer	4	17.5X25X0.8	
12	1070216001	ESET3-EC12	Wheel	2		
13	1070213004	ESET3-EC13	Shaft sleeve	2		
14	9000001918	ESET3-EC14	Adjustment washer	Opt.		
15	9000010403	ESET3-EC15	Wheel kit	2		
16	9000007434	ESET3-EC16	Support wheel	2		

Fig. 7 Tiller

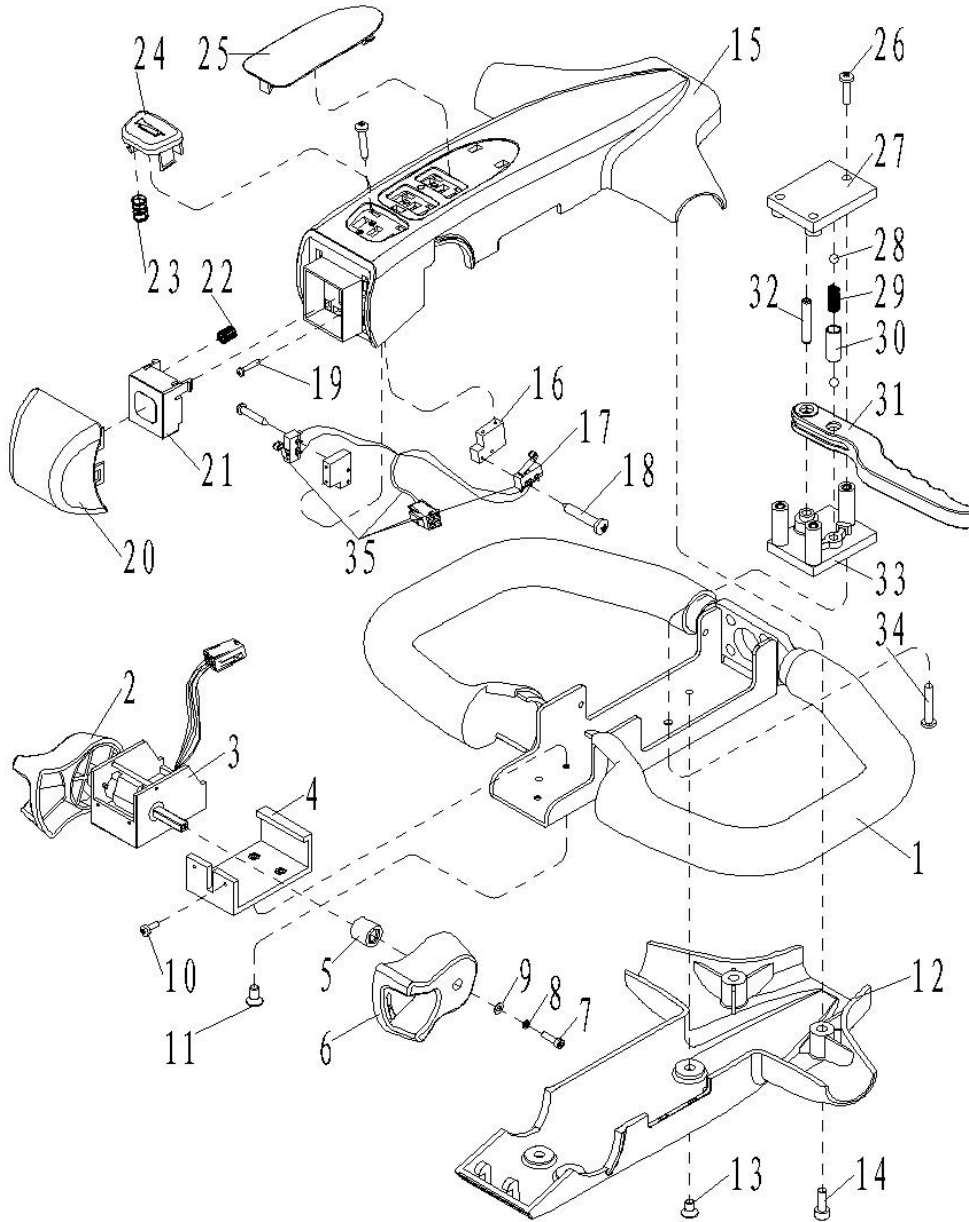


Fig. 7 Tiller

No.	Art No.	Mobile Part #	Description	Qty.	Note	Standard
1	9000002189	ESET3-ET1	Tiller block	1	Rubber	
2	9000002175	ESET3-ET2	Left drive button	1		
3	9000008334	ESET3-ET3-190	Accelerator	1	BD-190	Option
	9000012014	ESET3-ET3-191	Accelerator		ET-191E	
4	9000002177	ESET3-ET4	Connector	1		Only for BD-190
5	9000002188	ESET3-ET5	Plastic cover	2		
6	9000002176	ESET3-ET6	Right drive button	1		
7	0000023304	ESET3-ET7	Screw	2	M3X12	GB/T70.1=ISO4762
8	0000025003	ESET3-ET8	Elastic washer	2	3	GB/T93
9	0000025026	ESET3-ET9	Washer	2	3	GB/T95
10	0090000190	ESET3-ET10	Screw	2	M3X8	GB/T6560 Only for BD-190
11	0090000189	ESET3-ET11	Screw	3	M4X8	GB/T70.3=ISO10642
12	9000002358	ESET3-ET12	Lower cover	1		
13	0000023138	ESET3-ET13	Screw	4	M6X10	GB/T70.3=ISO10642
14	0000023040	ESET3-ET14	Screw	2	M6X16	GB/T70.1=ISO4762
15	9000002357	ESET3-ET15	Upper cover	1		
16	9000002310	ESET3-ET16	Micro switch plate	2		
17	9000002161	ESET3-ET17	Micro switch	2		
18	0090000261	ESET3-ET18	Screw	4	ST2.2 X 13	GB/T845=ISO7049
19	0090000262	ESET3-ET19	Tapping screw	4	ST2.2 X 9.5	GB/T845=ISO7049
20	9000002180	ESET3-ET20	Belly button	1		
21	9000002181	ESET3-ET21	Belly block	1		
22	9000002182	ESET3-ET22	Spring	4		
23	9000002186	ESET3-ET23	Spring	2		
24	9000002183	ESET3-ET24	Horn	1		
25	9000002356	ESET3-ET25	Sticker	1		
26	0000023540	ESET3-ET26	Screw	3	M5X20	GB/T819.2
27	9000002355	ESET3-ET27	Lower plate	1		
28	0000037035	ESET3-ET28	Steel ball	2	Φ 7.5	GB308
29	1070131001	ESET3-ET29	Spring	1		
30	1070102002	ESET3-ET30	Spring cover	1		
31	9000002351	ESET3-ET31	Finger lever	1		
32	0000028113	ESET3-ET32	Pin	1		GB/T879.1=ISO8752
33	9000002354	ESET3-ET33	Upper plate	1		
34	0000023153	ESET3-ET34	Screw	3	M5X30	GB/T819.2
35	9000002190	ESET3-ET35	Micro switches 1	1		

Fig. 8 Tiller arm

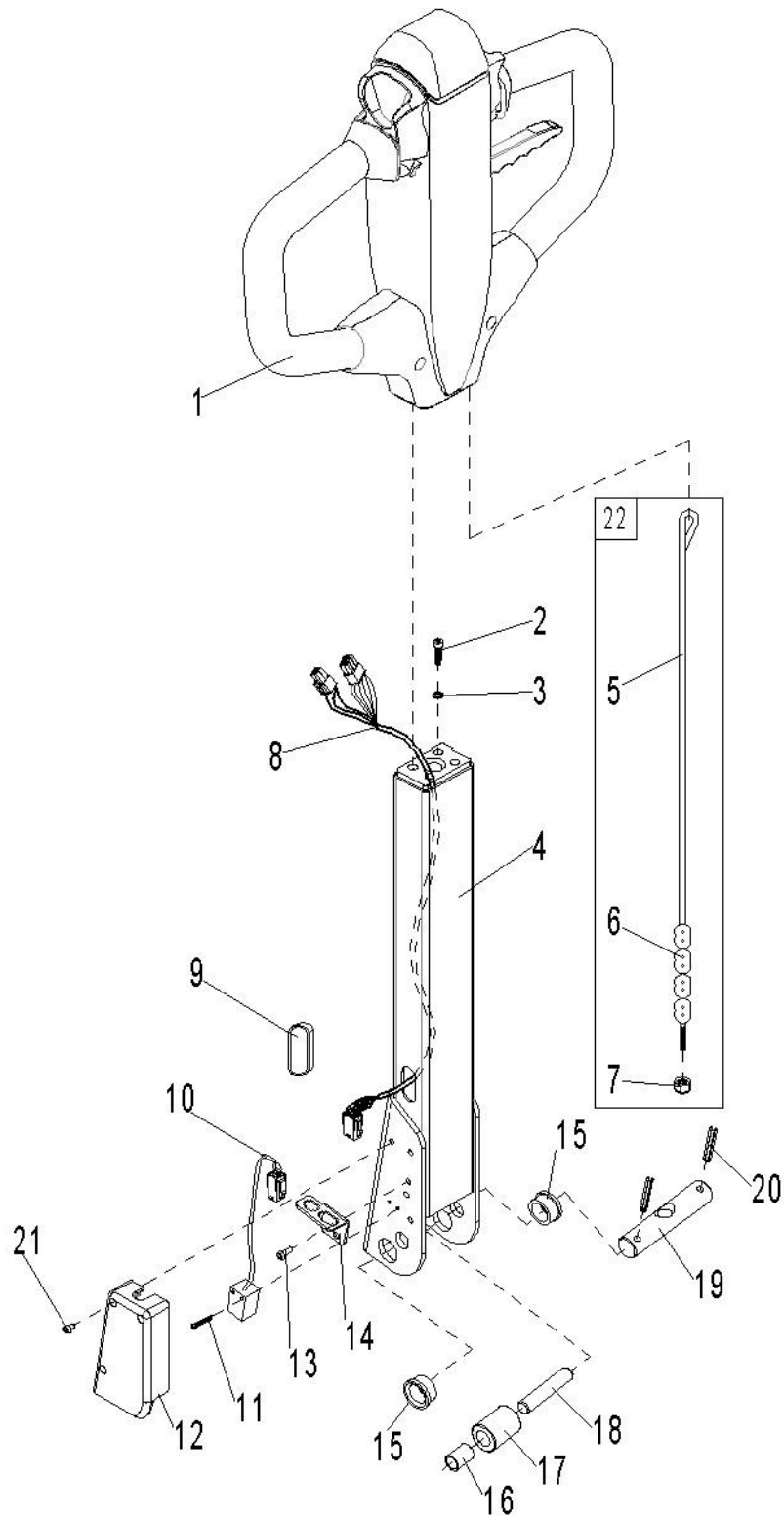


Fig. 8 Tiller arm

No.	Art No.	Mobile Part #	Description	Qty.	Note	Standard
1	9000002350	ESET3-ETA1	Tiller	1		
2	0000023061	ESET3-ETA2	Screw	4	M8x25	GB/T70.1=ISO4762
3	0000025004	ESET3-ETA3	Elastic washer	4	8	GB/T93
4	9000002438	ESET3-ETA4	Tiller arm	1		
5	9000002448	ESET3-ETA5	Steel wire	1		
6	0000029216	ESET3-ETA6	Roller chain	1		GB/T6070
7	0000024007	ESET3-ETA7	Lock nut	1	M5	GB/T889.1=ISO7040
8	9000002419	ESET3-ETA8	Cable	1		
9	1070118001	ESET3-ETA9	Protection cover	1		
10	9000002319	ESET3-ETA10	Proximity switch	1	NBN5-FT-E2	
11	0000023685	ESET3-ETA11	Screw	2	M3x25	GB/T70.1=ISO4762
12	9000002443	ESET3-ETA12	Protection cover	1		
13	0000023052	ESET3-ETA13	Screw	2	M4X8	GB/T818=ISO7045
14	9000002447	ESET3-ETA14	Connection plate	1		
15	0000013013	ESET3-ETA15	Compound set	2	20X22X15	
16	9000002435	ESET3-ETA16	Compound set	1	15X17X20	
17	9000002437	ESET3-ETA17	Pressure wheel	1		
18	9000002436	ESET3-ETA18	Shaft of pressure wheel	1		
19	9000002442	ESET3-ETA19	Shaft of tiller	1		
20	0000028009	ESET3-ETA20	Pin	2	5X35	GB/T879.1=ISO8752
21	0000023853	ESET3-ETA21	Screw	3	M4X16	GB/T70.1=ISO4762
22	9000010558	ESET3-ETA22	Pull rod kit	1		

Fig. 9 Connection of the head

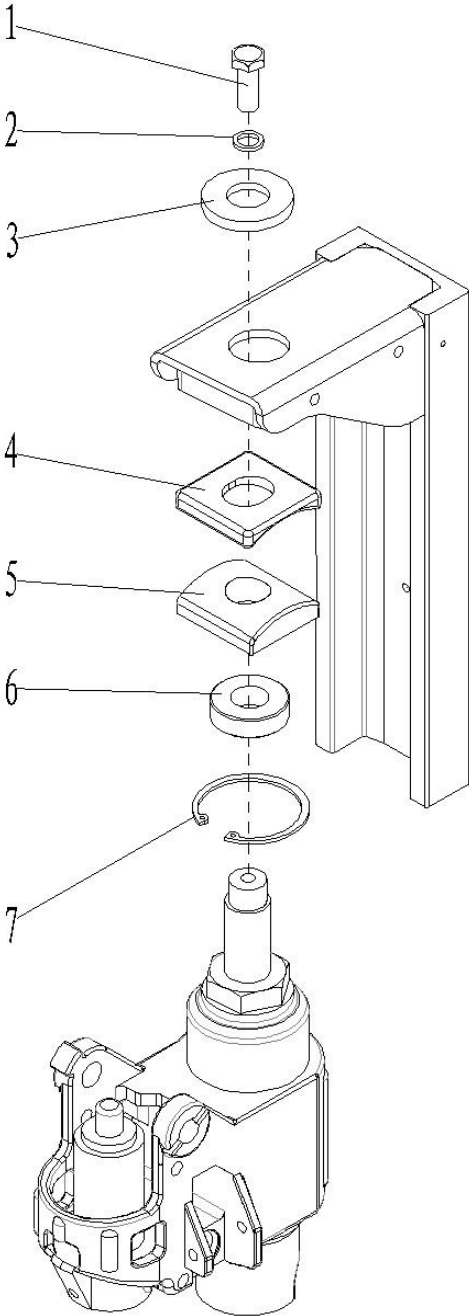


Fig. 9 Connection of the head

No.	Art No.	Mobile Part #	Description	Qty.	Note	Standard
1	0000023034	ESET3-ECH1	Screw	1	M10x20	GB/T70.1=ISO4762
2	0000023006	ESET3-ECH2	Elastic washer	1	10	GB/T93
3	9000002469	ESET3-ECH3	Chock block	1		
4	9000001988	ESET3-ECH4	Support plate	1		
5	9000002464	ESET3-ECH5	Bearing plate	1		
6	0090000304	ESET3-ECH6	Bearing	1		GB/T292
7	0000026002	ESET3-ECH7	Elastic retaining rings	1	52	GB/T893.1

Fig. 10 Control system

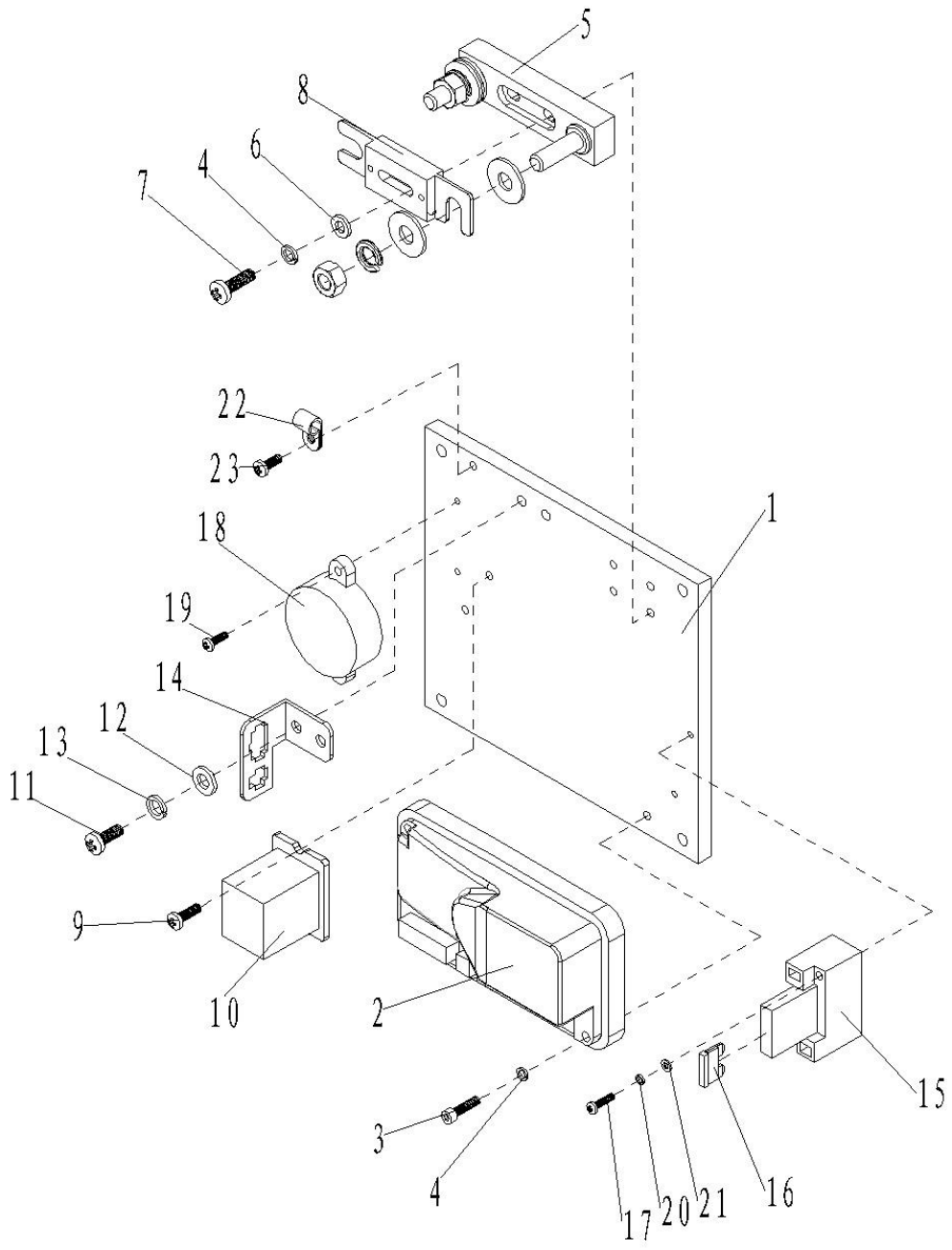


Fig. 10 Control system

No.	Art No.	Mobile Part #	Description	Qty.	Note	Standard
1	9000002066	ESET3-ECS1	Aluminum plate	1		
2	9000009802	ESET3-ECS2	Controller	1	CURTIS 1212P-2501	
3	0000023033	ESET3-ECS3	Screw	2	M4x25	GB/T70.1=ISO4762
4	0000025018	ESET3-ECS4	Elastic washer	4	4	GB/T93
5	1000434007	ESET3-ECS5	Fuse holder	1		
6	0000025019	ESET3-ECS6	Washer	2	4	GB/T95
7	0000023211	ESET3-ECS7	Screw	2	M4x16	GB/T818=ISO7045
8	1000434020	ESET3-ECS8	Fuse	1	60A	
9	0000023071	ESET3-ECS9	Screw	2	M4x8	GB/T818=ISO7045
10	1070335001	ESET3-ECS10	Protection mode	1	BD-W-115	Not for Amer Drive wheel
11	0000023516	ESET3-ECS11	Screw	2	M5x10	GB/T818=ISO7045
12	0000025014	ESET3-ECS12	Washer	2	5	GB/T95
13	0000025015	ESET3-ECS13	Elastic washer	2	5	GB/T93
14	1000404005	ESET3-ECS14	Connector plate	1		
15	1000434021	ESET3-ECS15	Fuse holder	1	BD-1X10A	
16	1000434040	ESET3-ECS16	Blade fuse	1	10A	
17	0000023074	ESET3-ECS17	Screw	2	M3x30	GB/T818=ISO7045
18	9000007394	ESET3-ECS18	Buzzer	1	HYD-4216W 24VDC	
19	0000023648	ESET3-ECS19	Screw	2	M3x8	GB/T818=ISO7045
20	0000025003	ESET3-ECS20	Elastic washer	2	3	GB/T93
21	0000025026	ESET3-ECS21	Washer	2	3	GB/T95
22	1000403004	ESET3-ECS22	Cable holder	1	UC-2	
23	0000023307	ESET3-ECS23	Screw	1	M4x10	GB/T818=ISO7045

Fig. 11 Electrical system

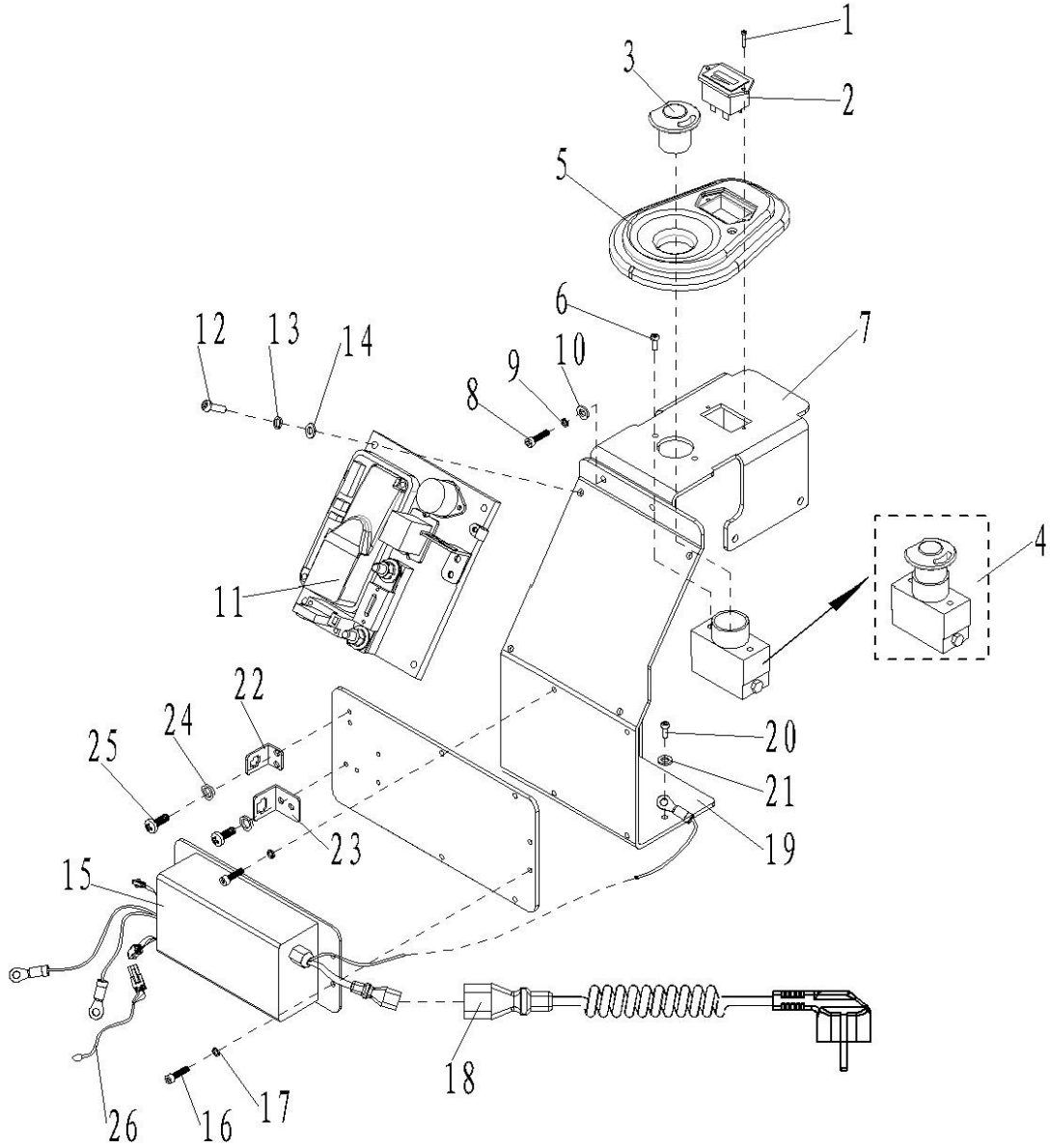


Fig. 11 Electrical system

No.	Art No.	Mobile Part #	Description	Qty.	Note	Standard
1	0090000083	ESET3-EES1	Screw	2	M3x25	GB/T70.2=ISO7380
2	9000009801	ESET3-EES2	Indicator	1	Curtis906	
3	9000002163	ESET3-EES3	Key	1	S100/80	
4	1070334008	ESET3-EES4	Emergency button	1	S100/80	
5	9000001977	ESET3-EES5	Instrument panel	1		
6	0000023311	ESET3-EES6	Screw	2	M5x10	GB/T70.1=ISO4762
7	9000001975	ESET3-EES7	Instrument plate	1		
8	0000023555	ESET3-EES8	Screw	2	M6x16	GB/T70.2=ISO7380
9	0000025010	ESET3-EES9	Elastic washer	2	6	GB/T93
10	0000023055	ESET3-EES10	Washer	2	6	GB/T95
11	9000002454	ESET3-EES11	Control board	1		
12	0000023107	ESET3-EES12	Screw	4	M5x16	GB/T70.1=ISO4762
13	0000025015	ESET3-EES13	Elastic washer	4	5	GB/T93
14	0000025014	ESET3-EES14	Washer	4	5	GB/T95
15	9000002427	ESET3-EES15	Charger 24V/5A QQE120-9CH61	1		
16	0000023071	ESET3-EES16	Screw	4	M4x8	GB/T818=ISO7045
17	1000418002	ESET3-EES17	Washer	4		
18	1010434009	ESET3-EES18-AU	Charger power cord	1	Australia	
	1010434011	ESET3-EES18-UK	Charger power cord	1	UK	
	1010434012	ESET3-EES18-EU	Charger power cord	1	EU	
	1010434013	ESET3-EES18-IT	Charger power cord	1	Italy	
	1010434014	ESET3-EES18-SW	Charger power cord	1	Switzerland	
	2530334005	ESET3-EES18-US	Charger power cord	1	USA	
	1010434023	ESET3-EES18-AS	Charger power cord	1	Asia	
19	9000001961	ESET3-EES19	Electrical board	1		
20	0000023058	ESET3-EES20	Screw	1	M6x10	GB/T70.1=ISO4762
21	1000425002	ESET3-EES21	Washer	1		
22	1010404005	ESET3-EES22	Connection plate	1		
23	1010404006	ESET3-EES23	Connection plate	1		
24	0000025012	ESET3-EES24	Elastic washer	4	5	GB/T93
25	0000023049	ESET3-EES25	Screw	4	M5x12	GB/T70.1=ISO4762
26	1010434016	ESET3-EES26	LED light	1		

Fig. 12 Truck body

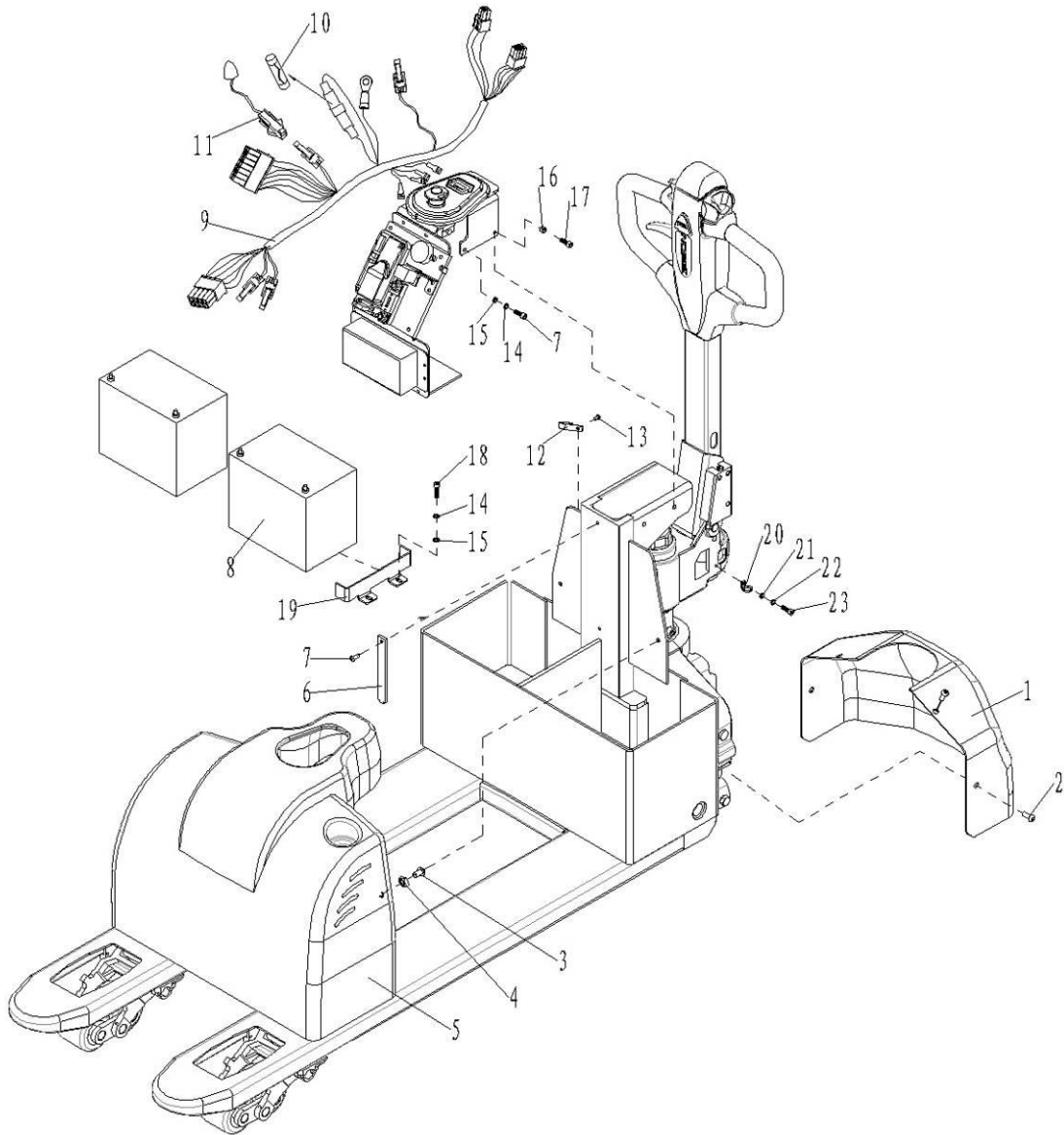


Fig. 12 Truck body

No.	Art No.	Mobile Part #	Description	Qty.	Note	Standard
1	9000001914	ESET3-ETB1	Motor cover	1		
2	1010423001	ESET3-ETB2	Screw	6	M8x20	GB/T70.2=ISO7380
3	1000423001	ESET3-ETB3	Screw	2		
4	2040424001	ESET3-ETB4	Active nuts	2	M10-5	
5	9000001969	ESET3-ETB5-20.5	Cover	1	540	
	9000009800	ESET3-ETB5-27		1	685	
6	9000001978	ESET3-ETB6	Support reinforcement	1		
7	0000023629	ESET3-ETB7	Screw	8	M6x16	GB/T70.2=ISO7380
8	1070332001	ESET3-ETB8	Battery	2	12V/42Ah	
9	9000002420	ESET3-ETB9	Control cable	1		
	9000008810	ESET3-ETB9A	Control cable	1		For Amer
10	9000002324	ESET3-ETB10	Fuse 5*20 0.5A	1		
11	9000002192	ESET3-ETB11	Fault display LED	1		
12	9000002325	ESET3-ETB12	Mount UC-5	3		
13	0000023052	ESET3-ETB13	Screw	3		GB/T818=ISO7045
14	0000025010	ESET3-ETB14	Elastic washer	6		GB/T93
15	0000023055	ESET3-ETB15	Washer	6		GB/T95
16	9000001979	ESET3-ETB16	Ring	2		
17	0000023030	ESET3-ETB17	Screw	2	M6x25	GB/T70.2=ISO7380
18	0000023053	ESET3-ETB18	Screw	4	M6x12	GB/T70.1=ISO4762
19	9000002475	ESET3-ETB19	Battery fixed plate	2		
20	9000002572	ESET3-ETB20	Wiring fixing plate	1		
21	0000025008	ESET3-ETB21	Washer	1	4	GB/T95
22	0000025009	ESET3-ETB22	Elastic washer	1	4	GB/T93
23	0000023016	ESET3-ETB23	Screw	1	M4x12	GB/T818=ISO7045

Fig. 13 Cables

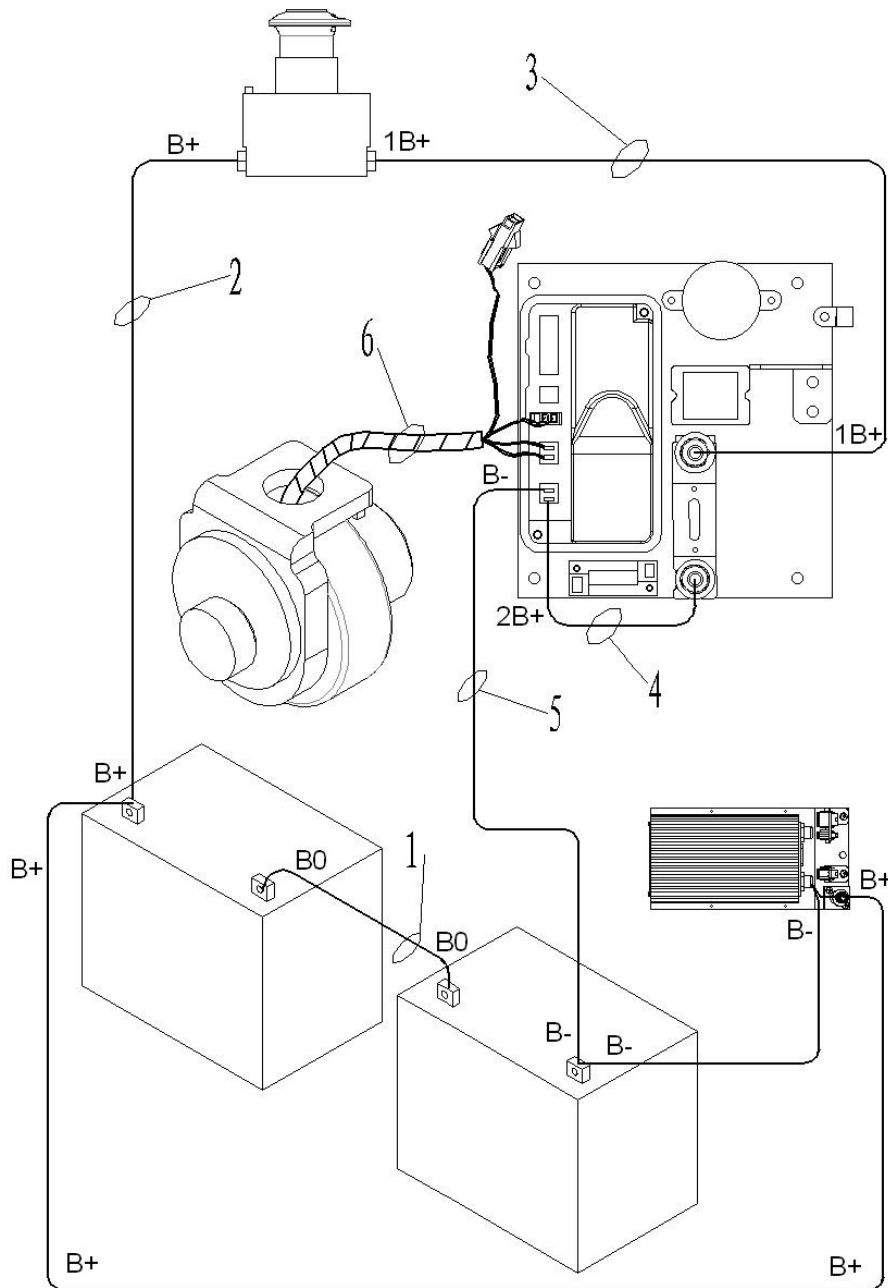


Fig. 13 Cables

No.	Art No.	Mobile Part #	Description	Qty.	Note	Standard
1	9000002421	ESET3-ECB1	B0 line	1		
2	9000002422	ESET3-ECB2	B+ line	1		
3	9000002423	ESET3-ECB3	1B+ line	1		
4	9000002424	ESET3-ECB4	2B+ line	1		
5	9000002425	ESET3-ECB5	B- line	1		
6	9000002426	ESET3-ECB6	Drive wheel line	1		
	9000008811	ESET3-ECB6A	Drive wheel line	1		For Amer
7	1020434003	ESET3-ECB7	PB- line	1		

Fig. 14 Sticker for EU

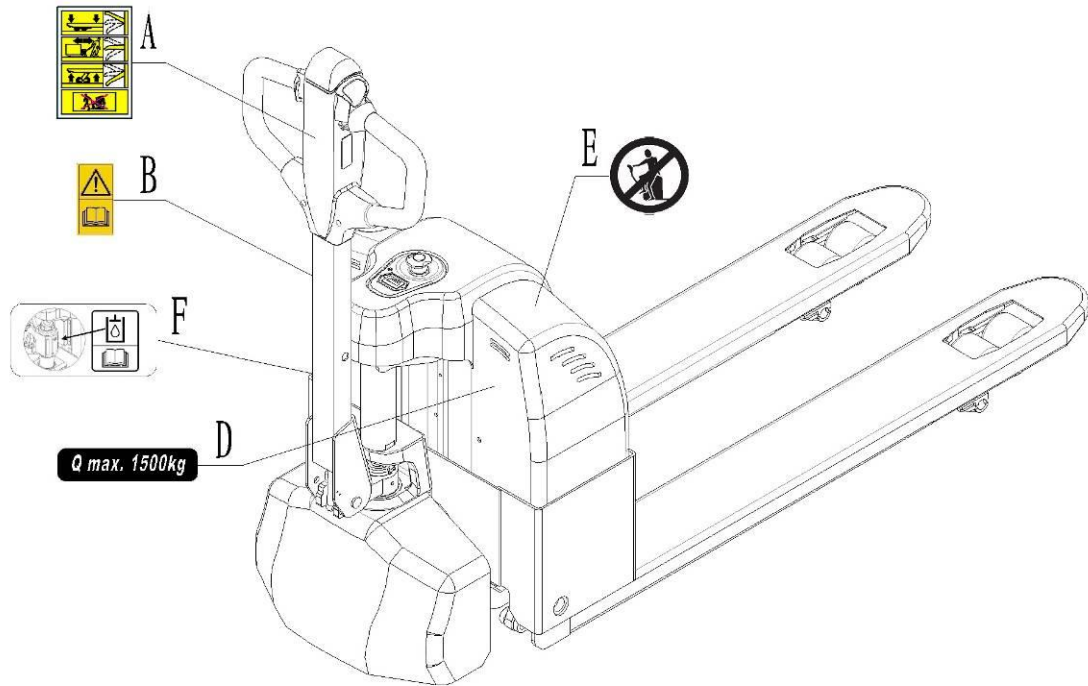


Fig. 14 Sticker for EU

No.	Art No.	Mobile Part #	Description	Qty.	Note	Standard
A	9000003569	ESET3-ESEU-A	Sign operating instruction (only for SPT 15)	1		
B	9000003570	ESET3-ESEU-B	Sign read and follow this instruction	1		
D	9000003572	ESET3-ESEU-D	Sign capacity sticker	1		
E	9000003573	ESET3-ESEU-E	'No passengers' decal	1		
F	9000003574	ESET3-ESEU-F	Oil filling point (only for SPT 15)	1		

Fig. 15 Sticker for US

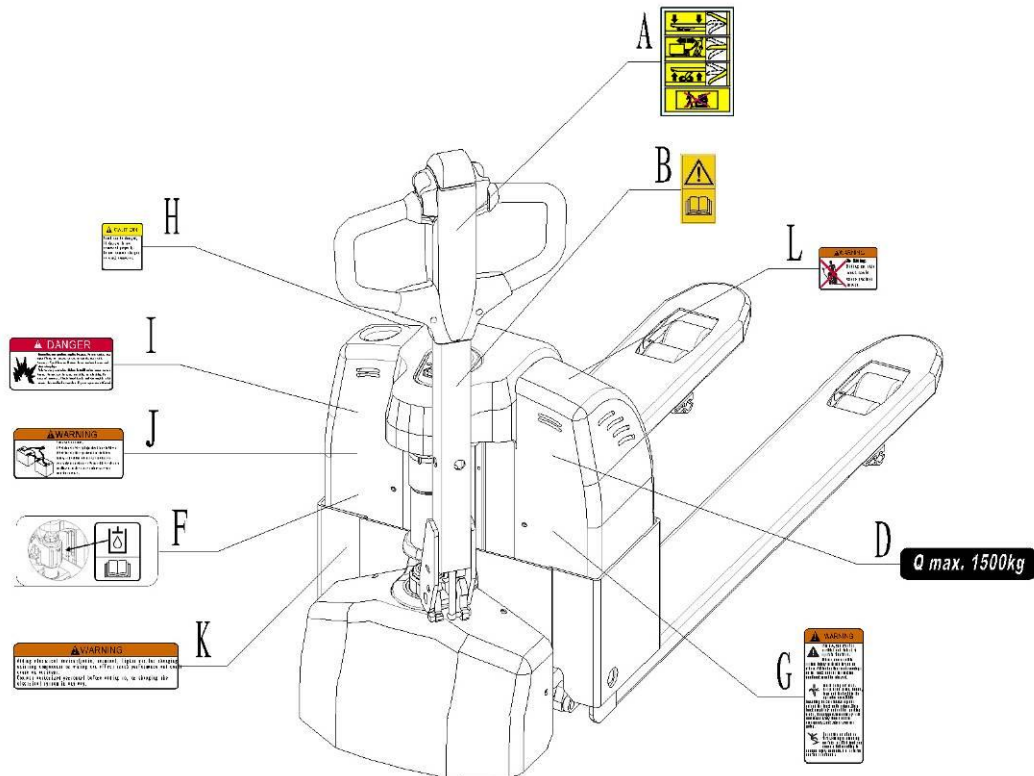


Fig. 15 Sticker for US

No.	Art No.	Mobile Part #	Description	Qty.	Note	Standard
A	9000003569	ESET3-ESUS-A	Sign operating instruction (only for SPT 15)	1		
B	9000003570	ESET3-ESUS-B	Sign read and follow this instruction	1		
D	9000003572	ESET3-ESUS-D	Sign capacity sticker	1		
F	9000003574	ESET3-ESUS-F	Oil filling point (only for SPT 15)	1		
G	9000003575	ESET3-ESUS-G	Sign warning stay clear stop truck	1		
H	9000003576	ESET3-ESUS-H	Sign caution charger	1		
I	9000003577	ESET3-ESUS-I	Sign danger battery	1		
J	9000003578	ESET3-ESUS-J	Sign warning battery size	1		
K	9000003579	ESET3-ESUS-K	Sign warning electrical devices	1		
L	9000003580	ESET3-ESUS-L	Sign danger not riding	1		

Easy worn parts list

No.	Part number	Name	Qty.	Fig./Position	Note
1	0000013011	Bushing	4	Fig.1/6	16×18×15
2	0000027006	Bushing	2	Fig.1/7	25×29×25
3	0000027005	Bushing	4	Fig.2/7	20×22×12
4	0000027001	Bearing	8	Fig.2/11	
5	9000010398	Load wheel	4	Fig.2/19	Double
6	9000010399	Load wheel	2	Fig.2/20	Single
7	9000002333	Bushing	4	Fig.2/18	18×20×12
8	9000002528	Sealing kit	1	Fig.4/30	
9	9000002141	Wheel	1	Fig.5.1/21	BD drive wheel
10	9000002143	Carbon brusher	1	Fig.5.1/41	
11	9000012538	Wheel	1	Fig.5.2/4	PU
12	9000012543	Wheel	1	Fig.5.2/4	Rubber
13	9000010403	Castor	2	Fig.6/15	
14	0000013013	Bushing		Fig.8/15	20×22×15
15	1000434020	Fuse	1	Fig.10/8	60A
16	1000434040	Fuse	1	Fig.10/16	10A
17	9000002324	Fuse tube	1	Fig.12/10	5*20 0.5A



MOBILE INDUSTRIES, INC.
3750B Laird Rd - Unit 2 & 3
Mississauga ON, L5L 0R6
Canada

Toll Free: 1 800 527 4612 • Local 905 279 5370
Email: info@mobilept.com

MOBILEPT.COM