



## PARTS BREAKDOWN

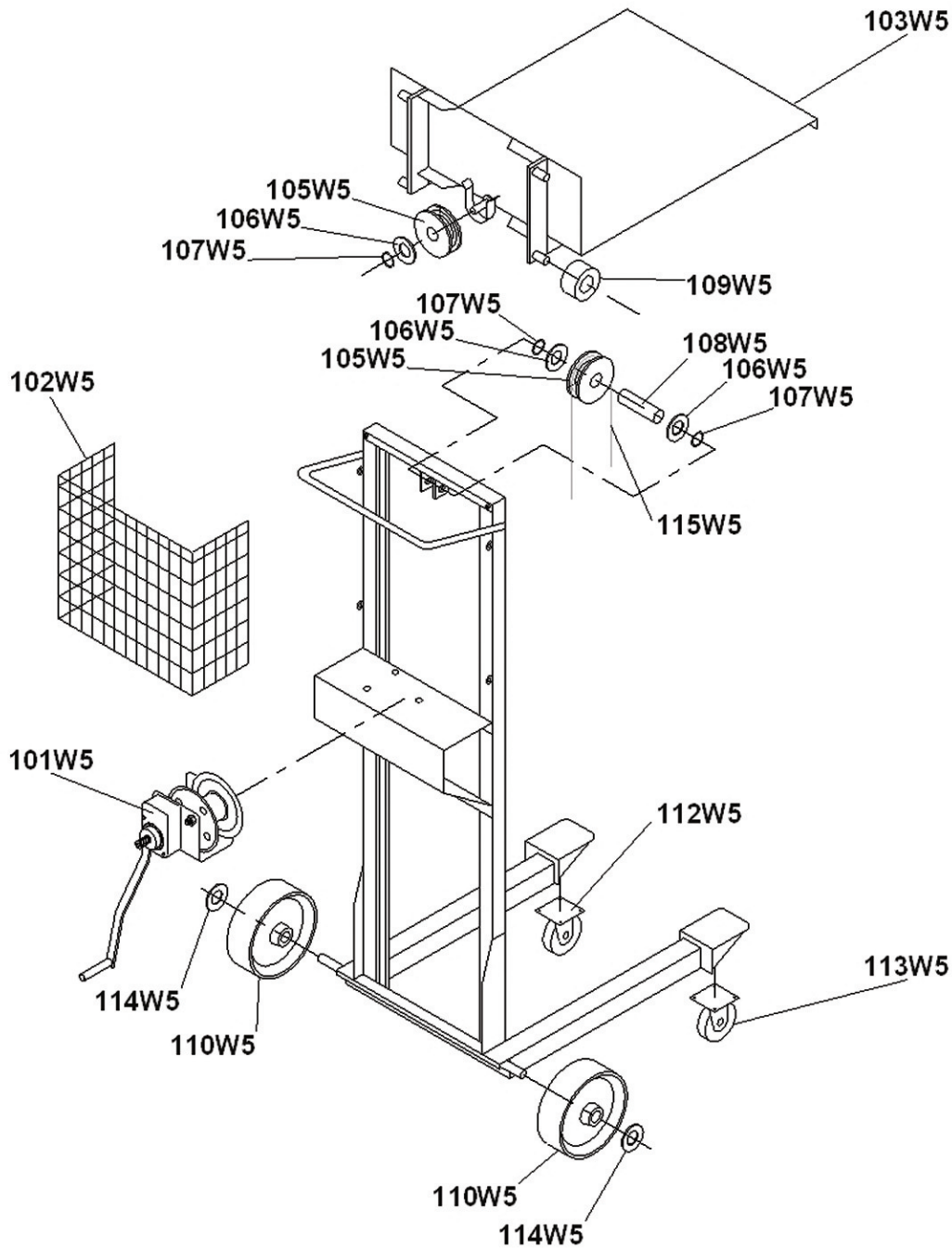
# MANUAL WINCH STACKERS

---

VERSION	N/A
MODEL	MW500 & MW750 MANUAL WINCH STACKERS
APPLICABLE PRODUCTS	MW500, MW750

---

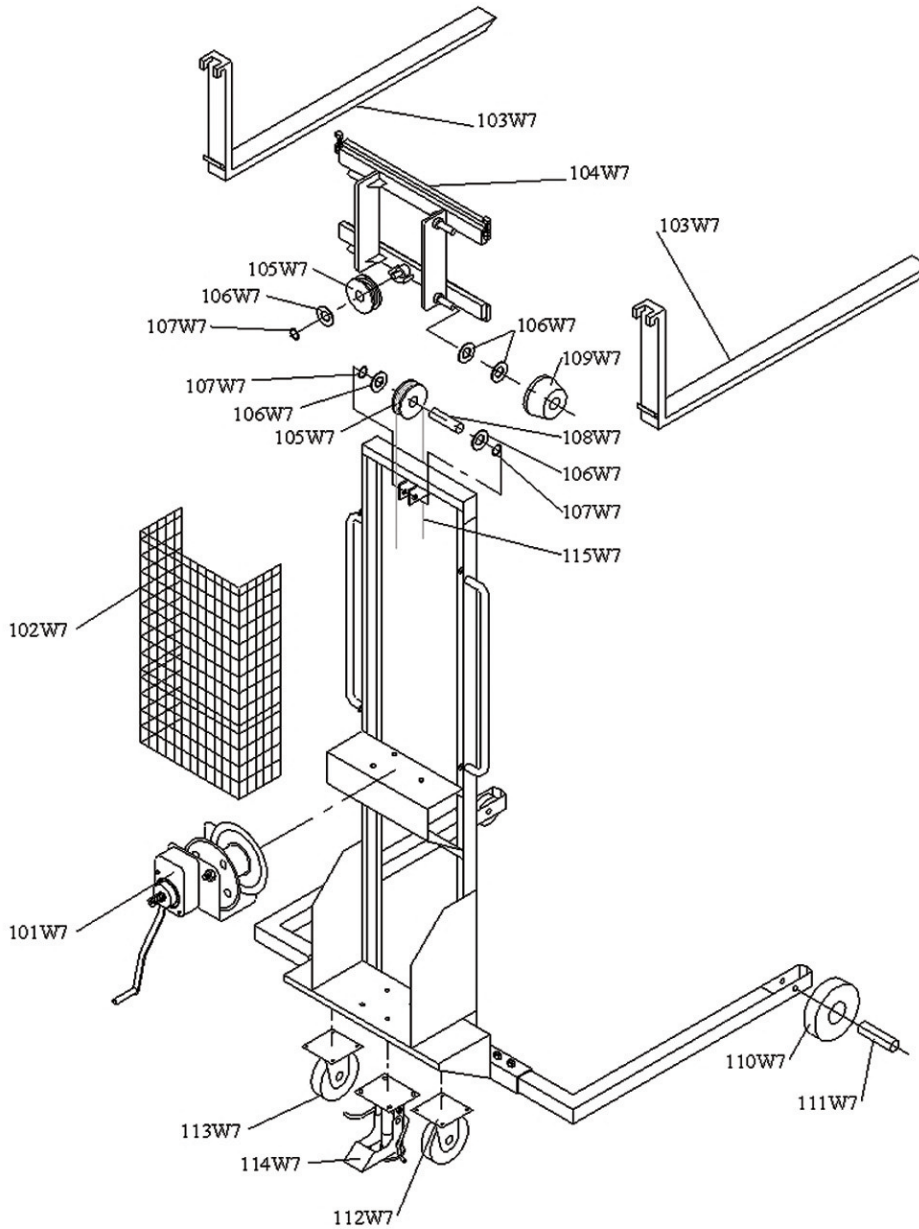
# MW500 WINCH STACKER PARTS BREAKDOWN



## MW500 WINCH STACKER PARTS LIST

Part#	Description	Part#	Description	Part#	Description
101W5	Winch	106W5	Washer	112W5	Caster Assembly
102W5	Safety Screen	107W5	Lock Ring	113W5	Caster Wheel
103W5	Fixed Platform	109W5	Roller	114W5	Washer
105W5	Pulley	110W5	Wheel	115W5	Cable

# MW750 WINCH STACKER PARTS BREAKDOWN



## MW750 WINCH STACKER PARTS LIST

Part#	Description	Part#	Description	Part#	Description
101W7	Winch	107W7	Lock Ring	112W7	Caster Assembly
103W7	Adjustable Fork	108W7	Axle	113W7	Caster Wheel
104W7	Carriage	109W7	Roller	114W7	Foot Brake
105W7	Pulley	110W7	Wheel	115W7	Cable
106W7	Washer	111W7	Axle		



**MOBILE INDUSTRIES, INC.**  
3750B Laird Rd - Unit 2 & 3  
Mississauga ON, L5L 0A6  
Canada

Toll Free: 1 800 527 4612 • Local 905 279 5370  
Email: [info@mobilept.com](mailto:info@mobilept.com)

**MOBILEPT.COM**