

PARTS BREAKDOWN

ECO SCISSOR LIFT

VERSION
MODEL
APPLICABLE PRODUCTS

APRIL 2014
EMSL22N MANUAL PUMP SCISSOR LIFT | EBSL22N BATTERY OPERATED SCISSOR LIFT
EMSL22N, EBSL22N

Catalogue

| | |
|---|-----------|
| Fig. 1 Handle of EMSL22N | 3 |
| Fig. 2 Handle of EBSL22N..... | 5 |
| Fig. 4 Frame of EMSL22N | 9 |
| Fig. 5 Frame of EBSL22N..... | 11 |
| Fig. 6 Pump of EMSL22N | 11 |
| Fig. 7 Pump of EBSL22N (1900)..... | 14 |
| Fig. 9 External Charger of EBSL22N | 16 |

Fig. 1 Handle of EMSL22N

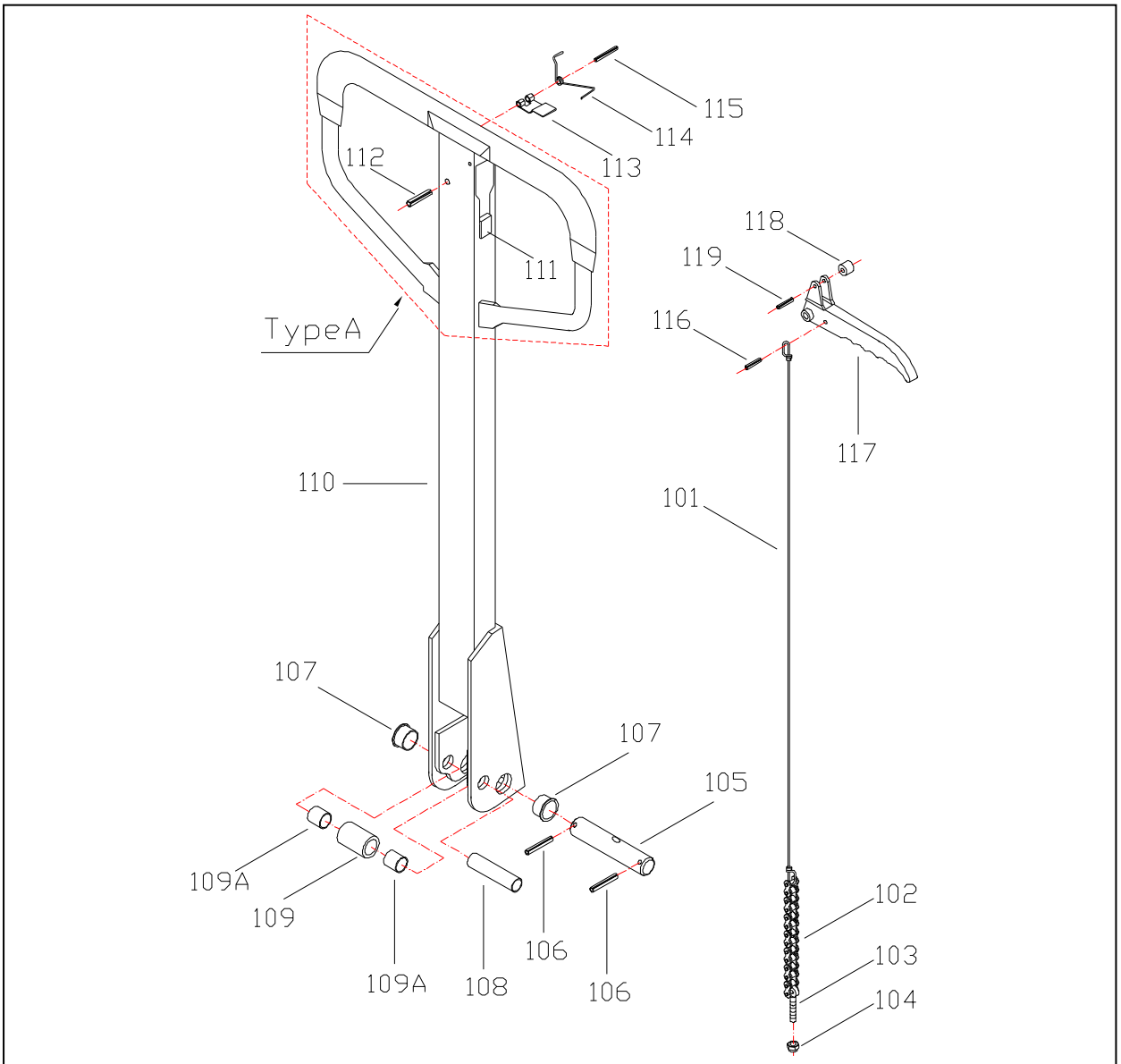


Fig.1 Handle of EMSL22N

| No. | Mobile Part # | Description | Qty. | Remark |
|------------|----------------------|---|-------------|---------------|
| 101 | EMSLH-101 | Release Rod | 1 | |
| 102 | EMSLH-102 | Chain | 1 | |
| 103 | EMSLH-103 | Adjusting Bolt | 1 | |
| 104 | EMSLH-104 | Adjusting Nut | 1 | |
| 105 | EMSLH-105 | Axle with Hole | 1 | |
| 106 | EMSLH-106 | Elastic Pin | 2 | |
| 107 | EMSLH-107 | Bushing | 2 | |
| 108 | EMSLH-108 | Roller Pin | 1 | |
| 109 | EMSLH-109 | Pressure Roller | 1 | |
| 109A | EMSLH-109A | Bushing | 2 | |
| 110 | EMSLH-110 | Draw-bar | 1 | Type A |
| 111 | EMSLH-111 | Stop Rubber | 1 | |
| 112 | EMSLH-112 | Elastic Pin | 1 | |
| 113 | EMSLH-113 | Blade Spring | 1 | |
| 114 | EMSLH-114 | Spring | 1 | |
| 115 | EMSLH-115 | Elastic Pin | 1 | |
| 116 | EMSLH-116 | Elastic Pin | 1 | |
| 117 | EMSLH-117 | Control Handle | 1 | |
| 118 | EMSLH-118 | Roller | 1 | |
| 119 | EMSLH-119 | Elastic Pin | 1 | |
| 1001M-A | EMSLH-1001M-A | Complete Handle Assembly (Contains:101, 102, 103, 104, 105, 106, 107, 108, 109, 109A, 110, 111, 112, 113, 114, 115, 116, 117, 118, 119) | | |

Fig. 2 Handle of EBSL22N

| No. | Mobile Part # | Description | Qty |
|------------|----------------------|--------------------|------------|
| 101 | EBSLH-101 | Release Rod | 1 |
| 102 | EBSLH-102 | Chain | 1 |
| 103 | EBSLH-103 | Adjusting Bolt | 1 |
| 104 | EBSLH-104 | Adjusting Nut | 1 |
| 105 | EBSLH-105 | Axle with Hole | 1 |
| 106 | EBSLH-106 | Elastic Pin | 2 |
| 107 | EBSLH-107 | Bushing | 2 |
| 108 | EBSLH-108 | Roller Pin | 1 |
| 109 | EBSLH-109 | Pressure Roller | 1 |
| 110 | EBSLH-110 | Bushing | 1 |
| 1113X | EBSLH-1113X | Draw - bar | 1 |
| 112 | EBSLH-112 | Pin | 4 |
| 113 | EBSLH-113 | Screw | 4 |
| 1133X | EBSLH-1133X | Screw | 4 |
| 114 | EBSLH-114 | Cover | 1 |
| 115 | EBSLH-115 | Ball | 1 |
| 116 | EBSLH-116 | Spring | 1 |
| 117 | EBSLH-117 | Pin | 1 |
| 118 | EBSLH-118 | Handle | 1 |
| 119 | EBSLH-119 | Pin | 1 |
| 120 | EBSLH-120 | Controlling Handle | 1 |
| 123 | EBSLH-123 | Rubber band | 2 |
| 124 | EBSLH-124 | Screw | 4 |
| 1253X | EBSLH-1253X | Cover | 1 |
| 1263X | EBSLH-1263X | Switch | 1 |
| 127 | EBSLH-127 | Socket of button | 1 |
| 128 | EBSLH-128 | Button | 1 |
| 129 | EBSLH-129 | Connector plug | 1 |
| 131 | EBSLH-131 | Nylon Clips | 1 |
| 1323X | EBSLH-1323X | Rubber Packing | 1 |
| 1333X | EBSLH-1333X | Socket of switch | 1 |
| 1343X | EBSLH-1343X | O - Ring | 1 |
| 135 | EBSLH-135 | Screw | 2 |
| 136 | EBSLH-136 | Gasket | 1 |
| 1463X | EBSLH-1463X | Key | 2 |

Fig. 4 Frame of EMSL22N

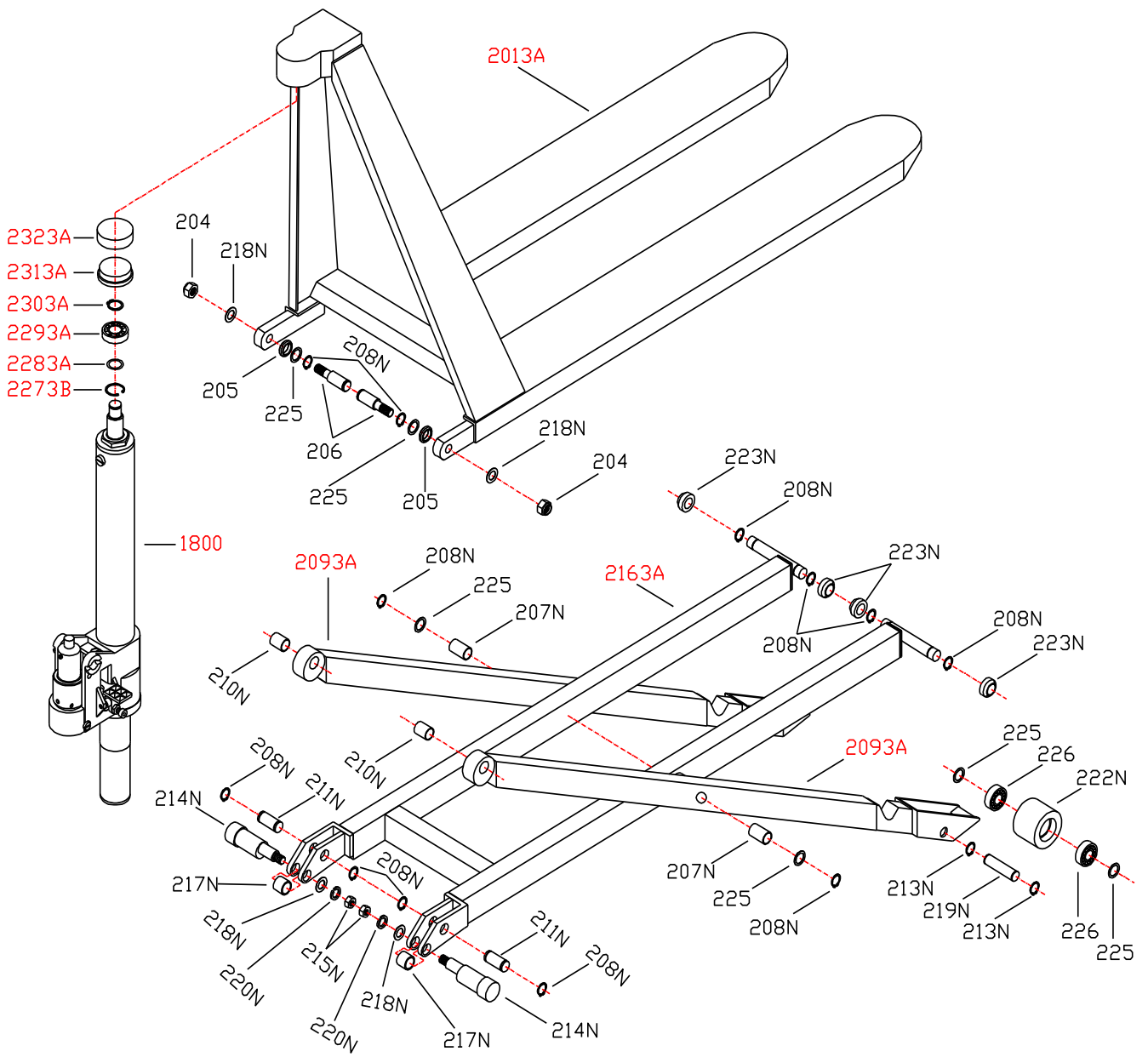


Fig.4 Frame of EMSL22N

| No. | Mobile Part # | Description | Qty | Annotations |
|------------|----------------------|-------------------------|------------|--------------------|
| 204 | EMSLF-204 | Nut | 2 | |
| 205 | EMSLF-205 | Washer | 2 | |
| 206 | EMSLF-206 | Pin | 2 | |
| 225 | EMSLF-225 | Washer | 6 | |
| 226 | EMSLF-226 | Bearing | 4 | |
| 2013A | EMSLF-2013A | Fork Frame | 1 | |
| 207N | EMSLF-207N | Bushing | 2 | |
| 208N | EMSLF-208N | Elastic collar | 12 | |
| 2093A | EMSLF-2093A | Lift Leg | 2 | |
| 210N | EMSLF-210N | Bushing | 2 | |
| 211N | EMSLF-211N | Pin | 2 | |
| 213N | EMSLF-213N | Locking Ring | 4 | |
| 214N | EMSLF-214N | Centrifugal Axle | 2 | |
| 215N | EMSLF-215N | Locking Nut | 2 | |
| 2163A | EMSLF-2163A | Inner Leg | 1 | |
| 217N | EMSLF-217N | Bushing | 2 | |
| 218N | EMSLF-218N | Washer | 4 | |
| 219N | EMSLF-219N | Shaft of Roller | 2 | |
| 220N | EMSLF-220N | Elastic Washer | 2 | |
| 222N | EMSLF-222N | Roller | 2 | |
| 223N | EMSLF-223N | Steel Roller | 4 | |
| 2273B | EMSLF-22273B | Retain Ring 72 For Bore | 1 | From 08140400001 |
| 2283A | EMSLF-2283A | Washer | 1 | |
| 2293A | EMSLF-2293A | Ball Bearing | 1 | |
| 2303A | EMSLF-2303A | Circlip for Shaft | 1 | |
| 2313A | EMSLF-2313A | Seat of Bearing | 1 | |
| 2323A | EMSLF-2323A | Rubber cover | 1 | |
| 1800 | EMSLF-1800 | Pump unit | | |

Fig. 5 Frame of EBSL22N

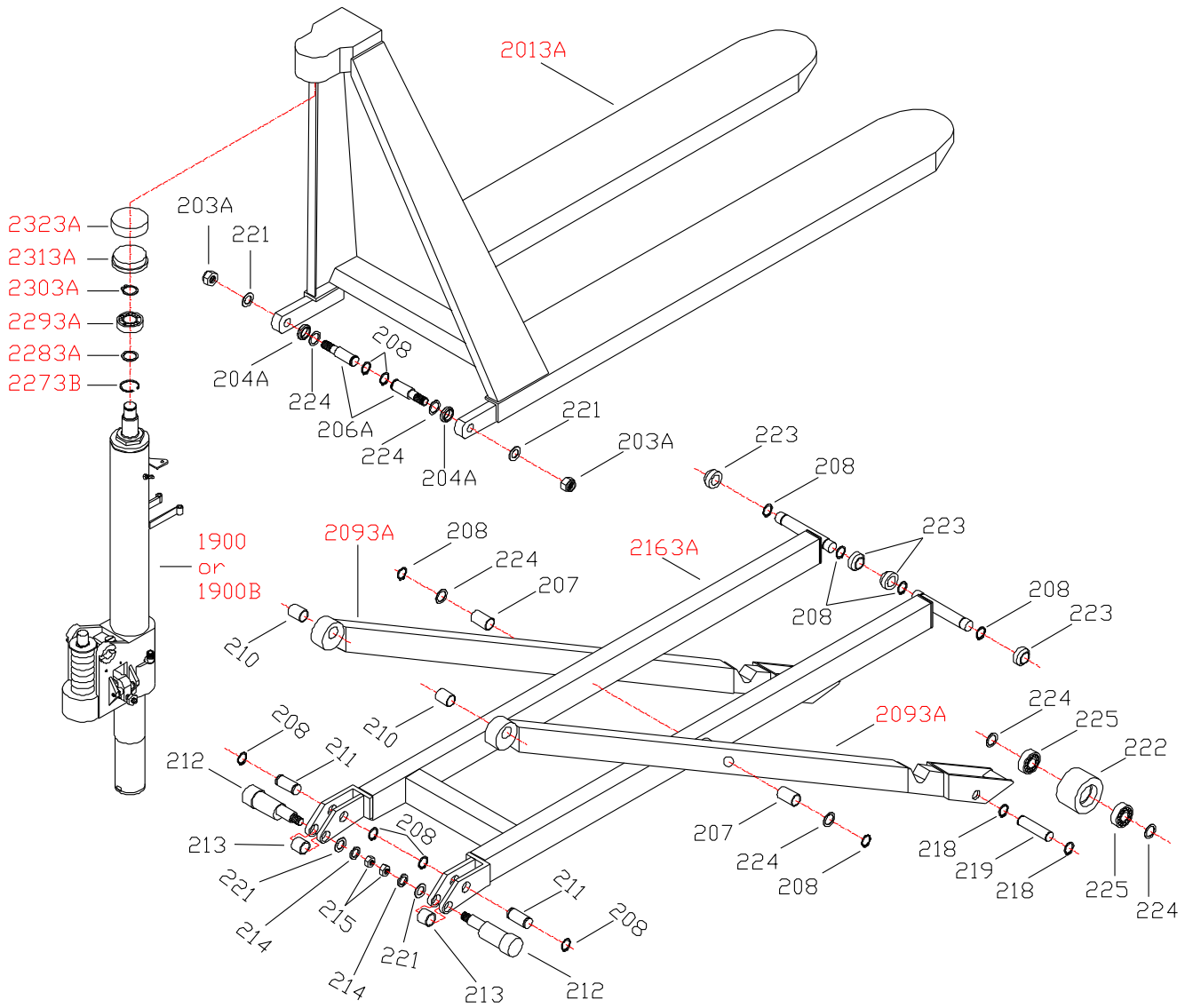


Fig. 5 Frame of EBSL22N

| No. | Mobile Part # | Description | Qty | Annotations |
|------------|----------------------|-------------------------|------------|---------------------|
| 2013A | EBSLF-2013A | Fork Frame | 1 | |
| 203A | EBSLF-203A | Locknut | 2 | |
| 204A | EBSLF-204A | Gasket | 2 | |
| 206A | EBSLF-206A | Pin | 2 | |
| 207 | EBSLF-207 | Bushing | 2 | |
| 208 | EBSLF-208 | Elastic collar | 12 | |
| 2093A | EBSLF-2093A | Lift Leg | 2 | |
| 210 | EBSLF-210 | Bushing | 2 | |
| 211 | EBSLF-211 | Pin | 2 | |
| 212 | EBSLF-212 | Centrifugal Axle | 2 | |
| 213 | EBSLF-213 | Bushing | 2 | |
| 214 | EBSLF-214 | Elastomeric gasket | 2 | |
| 215 | EBSLF-215 | Nut | 2 | |
| 2163A | EBSLF-2163A | Inner Leg | 1 | |
| 218 | EBSLF-218 | Elastic collar | 4 | |
| 219 | EBSLF-219 | Shaft of Roller | 2 | |
| 221 | EBSLF-221 | Gasket | 4 | |
| 222 | EBSLF-222 | Roller | 2 | |
| 223 | EBSLF-223 | Steel Roller | 4 | |
| 224 | EBSLF-224 | Gasket | 8 | |
| 225 | EBSLF-225 | Bearing | 4 | |
| 2273B | EBSLF-2273B | Retain Ring 72 For Bore | 1 | From 08140400001 |
| 2283A | EBSLF-2283A | Washer | 1 | |
| 2293A | EBSLF-2293A | Ball Bearing | 1 | |
| 2303A | EBSLF-2303A | Circlip for Shaft | 1 | |
| 2313A | EBSLF-2313A | Seat of Bearing | 1 | |
| 2323A | EBSLF-2323A | Rubber cover | 1 | |
| 1900 | EBSLF-1900 | Pump Assembly | 1 | |

Fig. 6 Pump of EMSL22N

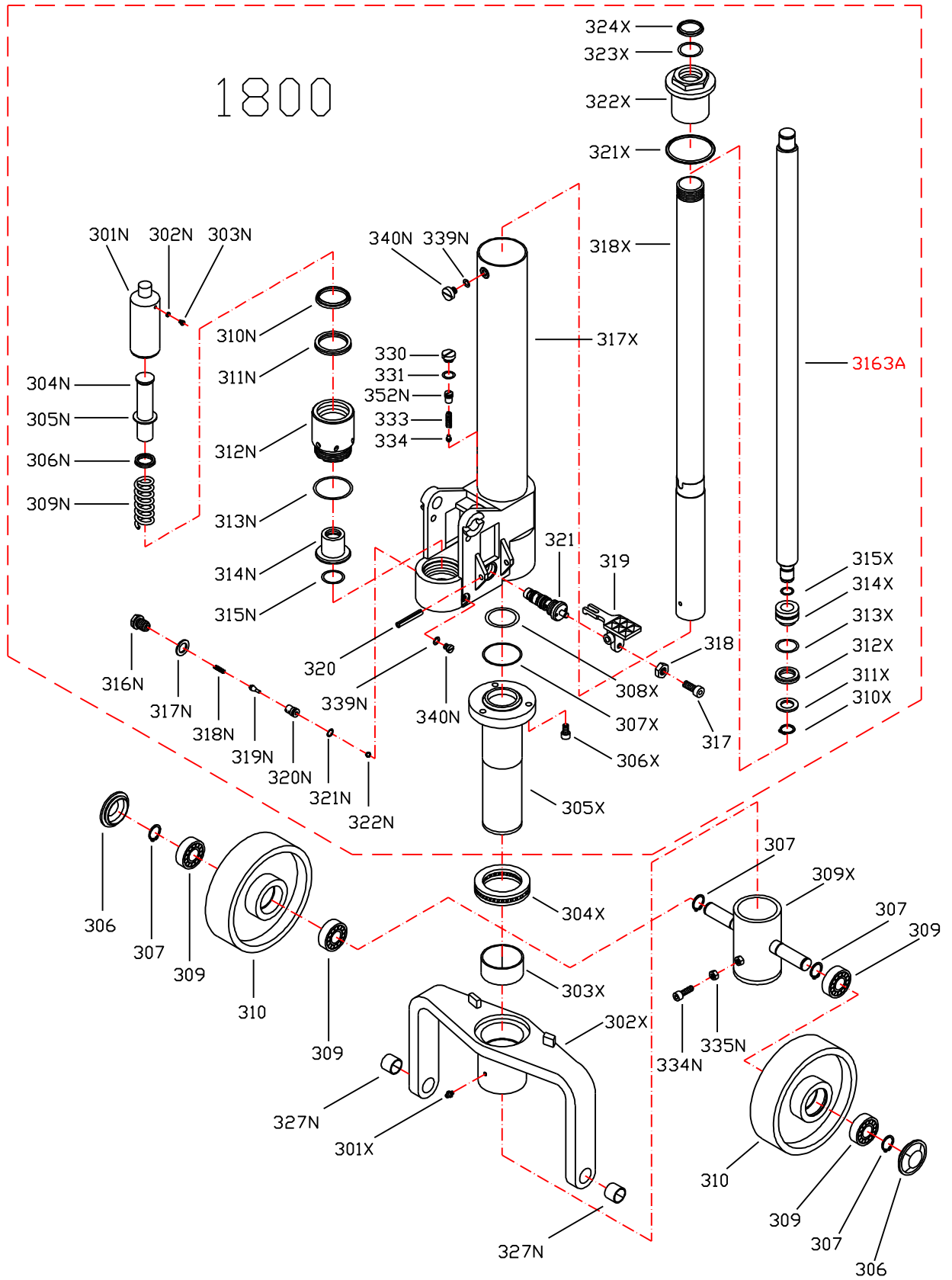


Fig.6 Pump of EMSL22N

| No. | Mobile Part # | Description | Qty | Annotations |
|------------|----------------------|---------------------------------|------------|--------------------|
| 306 | EMSLP-306 | Dust Cover | 2 | |
| 307 | EMSLP-307 | Locking Ring | 4 | |
| 309 | EMSLP-309 | Bearing | 4 | |
| 310 | EMSLP-310 | Steering Wheel | 2 | |
| 317 | EMSLP-317 | Screw | 1 | |
| 318 | EMSLP-318 | Nut | 1 | |
| 319 | EMSLP-319 | Lever Plate | 1 | |
| 320 | EMSLP-320 | Elastic Pin | 1 | |
| 321 | EMSLP-321 | Valve Cartridge | 1 | |
| 330 | EMSLP-330 | Screw Plug | 1 | |
| 331 | EMSLP-331 | O - Ring | 1 | |
| 333 | EMSLP-333 | Spring | 1 | |
| 334 | EMSLP-334 | Spindle of Safety Valve | 1 | |
| 301N | EMSLP-301N | Piston for Quick Lifting | 1 | |
| 302N | EMSLP-302N | Seal Washer | 1 | |
| 303N | EMSLP-303N | Screw for Deflating | 1 | |
| 304N | EMSLP-304N | Piston for Slow Lifting | 1 | |
| 305N | EMSLP-305N | Washer for Spring | 1 | |
| 306N | EMSLP-306N | Y - Ring | 1 | |
| 309N | EMSLP-309N | Spring | 1 | |
| 310N | EMSLP-310N | Dust Ring | 1 | |
| 311N | EMSLP-311N | Y - Ring | 1 | |
| 312N | EMSLP-312N | Pump Cylinder for Quick Lifting | 1 | |
| 313N | EMSLP-313N | O – Ring | 1 | |
| 314N | EMSLP-314N | Pump Cylinder for Slow Lifting | 1 | |
| 315N | EMSLP-315N | O - Ring | 1 | |
| 316N | EMSLP-316N | Screw | 1 | |
| 317N | EMSLP-317N | Seal Washer | 1 | |
| 318N | EMSLP-318N | Spring | 1 | |
| 319N | EMSLP-319N | Spindle of Pump Valve | 1 | |
| 320N | EMSLP-320N | Seat of Valve | 1 | |
| 321N | EMSLP-321N | O - Ring | 1 | |
| 322N | EMSLP-322N | Steel Ball | 1 | |
| 327N | EMSLP-327N | Bushing | 2 | |
| 334N | EMSLP-334N | Screw | 1 | |
| 335N | EMSLP-335N | Nut | 1 | |
| | | | | |
| | | | | |
| | | | | |
| | | | | |

| No. | | Description | Qty | Annotations |
|-------|-------------|------------------------|--|-------------|
| 339N | EMSLP-339N | O - Ring | 2 | |
| 340N | EMSLP-340N | Screw | 2 | |
| 352N | EMSLP-352N | Adjusting Bolt | 1 | |
| 301X | EMSLP-301X | Grease Cup | 1 | |
| 302X | EMSLP-302X | Thrust Plate | 1 | |
| 303X | EMSLP-303X | Bushing | 1 | |
| 304X | EMSLP-304X | Bearing | 1 | |
| 305X | EMSLP-305X | Lower Cylinder | 1 | |
| 306X | EMSLP-306X | Screw | 3 | |
| 307X | EMSLP-307X | O - Ring | 1 | |
| 308X | EMSLP-308X | O - Ring | 1 | |
| 309X | EMSLP-309X | Holding Site for Wheel | 1 | |
| 310X | EMSLP-310X | Locking Ring | 1 | |
| 311X | EMSLP-311X | Washer | 1 | |
| 312X | EMSLP-312X | Y - Ring | 1 | |
| 313X | EMSLP-313X | O - Ring | 1 | |
| 314X | EMSLP-314X | Piston | 1 | |
| 315X | EMSLP-315X | O - Ring | 1 | |
| 3163A | EMSLP-3163A | Piston Rod | 1 | |
| 317X | EMSLP-317X | Pump Body | 1 | |
| 318X | EMSLP-318X | Cylinder | 1 | |
| 321X | EMSLP-321X | Seal Washer | 1 | |
| 322X | EMSLP-322X | Screw Cover | 1 | |
| 323X | EMSLP-323X | O - Ring | 1 | |
| 324X | EMSLP-324X | Dust Ring | 1 | |
| NV-X | EMSLP-NV-X | Seal Kit Ass'y | Contains: 331, 302N, 306N, 310N, 311N, 313N, 315N, 317, 321N, 339N, 307X, 308X, 312X, 313X, 315X, 321X, 323X, 324X | |

Fig. 7 Pump of EBSL22N

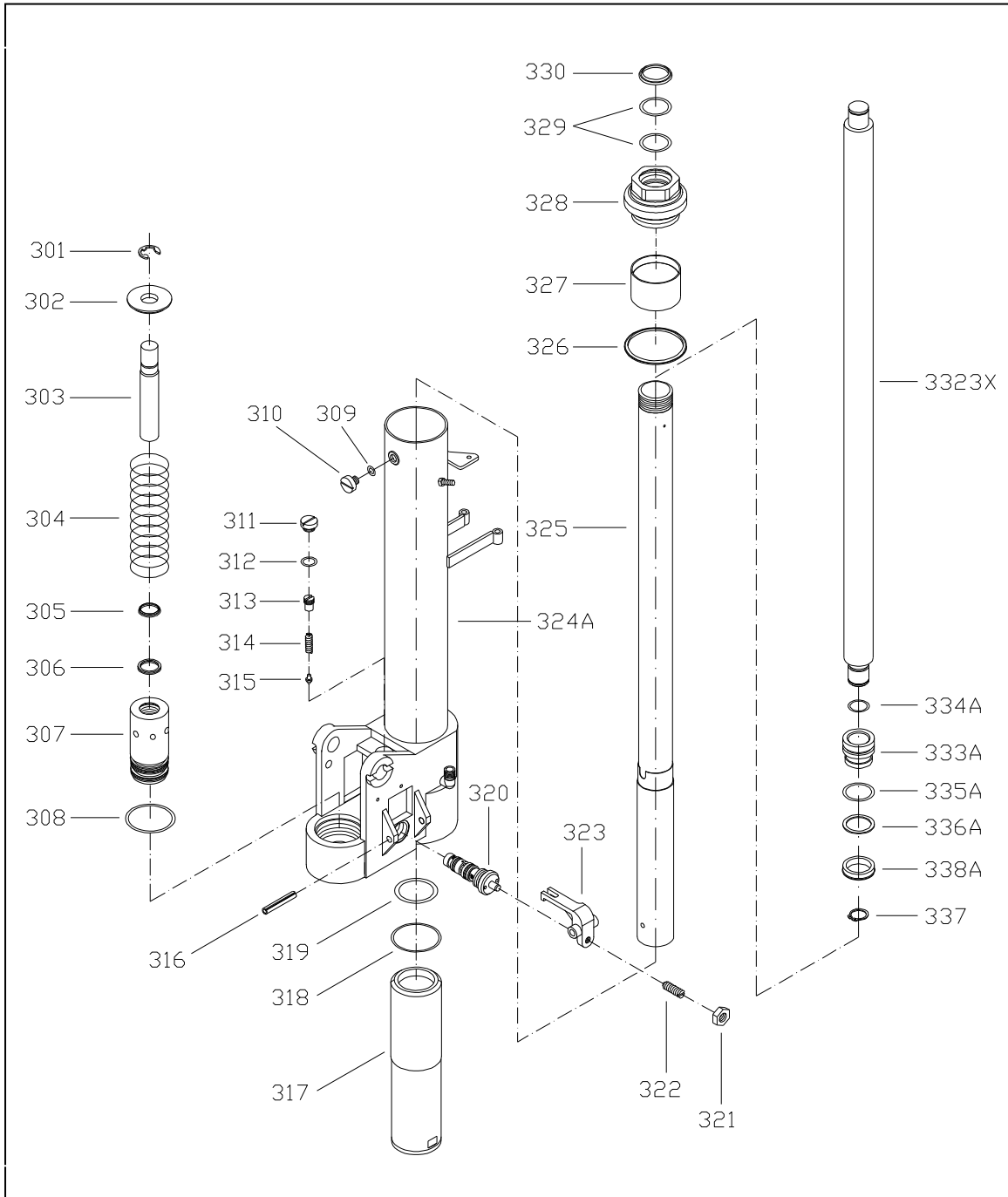


Fig. 7 Pump of EBSL22N

| No. | Mobile Part # | Description | Qty |
|------------|----------------------|-------------------------|------------|
| 301 | EBSLP-301 | Locking Ring | 1 |
| 302 | EBSLP-302 | Gasket for Spring | 1 |
| 303 | EBSLP-303 | Piston | 1 |
| 304 | EBSLP-304 | Spring | 1 |
| 305 | EBSLP-305 | Dust Ring | 1 |
| 306 | EBSLP-306 | Y - Ring | 1 |
| 307 | EBSLP-307 | Pump Cylinder | 1 |
| 308 | EBSLP-308 | O - Ring | 1 |
| 309 | EBSLP-309 | Seal Gasket | 1 |
| 310 | EBSLP-310 | Screw Plug | 1 |
| 311 | EBSLP-311 | Screw Plug | 1 |
| 312 | EBSLP-312 | O - Ring | 1 |
| 313 | EBSLP-313 | Adjusting Bolt | 1 |
| 314 | EBSLP-314 | Spring | 1 |
| 315 | EBSLP-315 | Spindle of Safety Valve | 1 |
| 316 | EBSLP-316 | Elastic Pin | 1 |
| 317 | EBSLP-317 | Lower Cylinder | 1 |
| 318 | EBSLP-318 | O - Ring | 1 |
| 319 | EBSLP-319 | O - Ring | 1 |
| 320 | EBSLP-320 | Valve Cartridge | 1 |
| 321 | EBSLP-321 | Nut | 1 |
| 322 | EBSLP-322 | Screw | 1 |
| 323 | EBSLP-323 | Lever Plate | 1 |
| 324A | EBSLP-324A | Pump Body | 1 |
| 325 | EBSLP-325 | Cylinder | 1 |
| 326 | EBSLP-326 | Seal Gasket | 1 |
| 327 | EBSLP-327 | Bushing | 1 |
| 328 | EBSLP-328 | Screw Cover | 1 |
| 329 | EBSLP-329 | O - Ring | 1 |
| 330 | EBSLP-330 | Dust Ring | 1 |
| 3323X | EBSLP-3323X | Piston Rod | 1 |
| 333A | EBSLP-333A | Piston | 1 |
| 334A | EBSLP-334A | O - Ring | 1 |
| 335A | EBSLP-335A | O - Ring | 1 |
| 336A | EBSLP-336A | Gasket | 1 |
| 337 | EBSLP-337 | Elastic collar | 1 |
| 338A | EBSLP-338A | Y - Ring | 1 |

Fig. 9 External Charger of EBSL22N

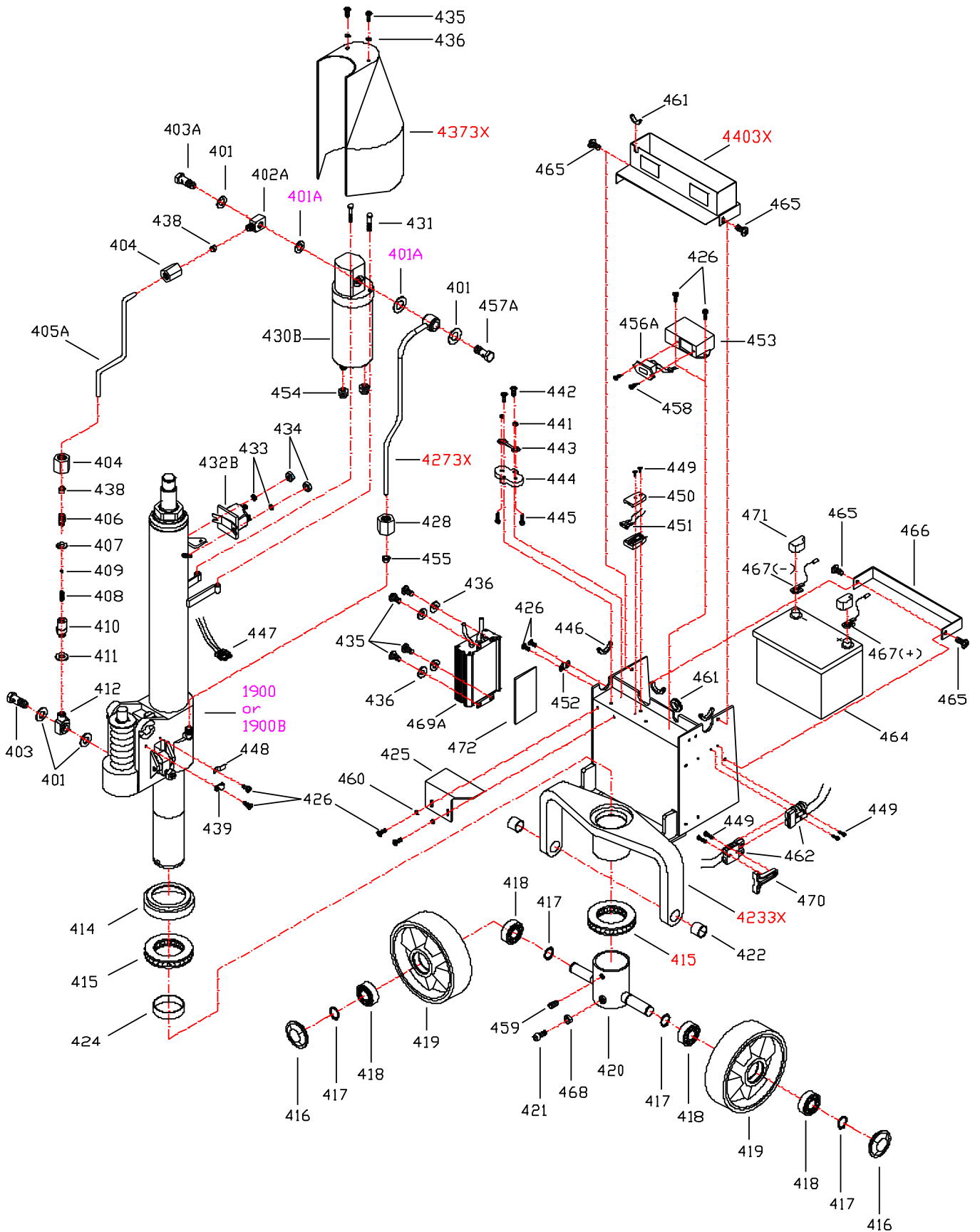


Fig. 9 External Charger of EBSL22N

| No. | Mobile Part # | Description | Qty | No. | Mobile Part # | Description | Qty | |
|-------|---------------|---------------------------|---|--------|---------------|-----------------------|-----|--|
| 401 | EBSLEC-401 | Seal Gasket | 4 | 438 | EBSLEC-438 | Sheath | 2 | |
| 402A | EBSLEC-402A | Connector | 1 | 439 | EBSLEC-439 | Nylon Clips | 1 | |
| 403A | EBSLEC-403A | Bolt | 1 | 4403X | EBSLEC-43403X | Battery Cover | 1 | |
| 403 | EBSLEC-403 | Bolt | 1 | 441 | EBSLEC-441 | Nut | 2 | |
| 404 | EBSLEC-404 | Nut | 2 | 442 | EBSLEC-442 | Screw | 2 | |
| 405A | EBSLEC-405A | Oil Pipe | 1 | 443 | EBSLEC-443 | Fuse | 1 | |
| 406 | EBSLEC-406 | Carve Tie-in | 1 | 444 | EBSLEC-444 | Fuse Carrier | 1 | |
| 407 | EBSLEC-407 | Seal Gasket | 1 | 445 | EBSLEC-445 | Bolt | 2 | |
| 408 | EBSLEC-408 | Spring | 1 | 446 | EBSLEC-446 | Rubber band | 2 | |
| 409 | EBSLEC-409 | Steel Ball | 1 | 447 | EBSLEC-447 | Connector plug | 1 | |
| 410 | EBSLEC-410 | Seat of Valve | 1 | 448 | EBSLEC-448 | Metal sheet | 1 | |
| 411 | EBSLEC-411 | Seal Gasket | 1 | 449 | EBSLEC-449 | Screw | 6 | |
| 412 | EBSLEC-412 | Connector | 1 | 450 | EBSLEC-450 | Fuse Carrier | 2 | |
| 414 | EBSLEC-414 | Seat of Bearing | 1 | 451 | EBSLEC-451 | Fuse | 1 | |
| 415 | EBSLEC-415 | Bearing | 2 | 452 | EBSLEC-452 | Wire Clip | 1 | |
| 416 | EBSLEC-416 | Dust Cover | 2 | 453 | EBSLEC-453 | Seat of Voltage Meter | 1 | |
| 417 | EBSLEC-417 | Elastic collar | 4 | 454 | EBSLEC-454 | Rubber Sheath | 2 | |
| 418 | EBSLEC-418 | Bearing | 4 | 455 | EBSLEC-455 | Sheath | 1 | |
| 419 | EBSLEC-419 | Wheel | 2 | 456A | EBSLEC-456A | Circuit Module | 1 | |
| 420 | EBSLEC-420 | Holding Site for Wheel | 1 | 457A | EBSLEC-457A | Bolt | 1 | |
| 421 | EBSLEC-421 | Bolt | 1 | 458 | EBSLEC-458 | Screw | 2 | |
| 422 | EBSLEC-422 | Bushing | 2 | 459 | EBSLEC-459 | Screw | 3 | |
| 4233X | EBSLEC-4233X | Thrust Plate | 1 | 460 | EBSLEC-460 | Gasket | 2 | |
| 424 | EBSLEC-424 | Bushing | 1 | 461 | EBSLEC-461 | Rubber band | 2 | |
| 425 | EBSLEC-425 | Cover | 1 | 462 | EBSLEC-462 | Socket | 2 | |
| 426 | EBSLEC-426 | Screw | 8 | 464 | EBSLEC-464 | Battery | 1 | |
| 4273X | EBSLEC-4273X | Oil Pipe | 1 | 465 | EBSLEC-465 | Screw | 4 | |
| 428 | EBSLEC-428 | Nut | 1 | 466 | EBSLEC-466 | Baffle | 1 | |
| 430A | EBSLEC-430A | Motor Assembly | 1 | 467(+) | EBSLEC-467+ | Battery Clip(+) | 1 | |
| 431 | EBSLEC-431 | Bolt | 2 | 467(-) | EBSLEC-467- | Battery Clip(-) | 1 | |
| 432A | EBSLEC-432A | Electromagnetic Switch | 1 | 468 | EBSLEC-468 | Nut | 1 | |
| 433 | EBSLEC-433 | Gasket | 2 | 469A | EBSLEC-469A | Electronic Charger | 1 | |
| 434 | EBSLEC-434 | Nut | 2 | 470 | EBSLEC-470 | Pull Handle | 1 | |
| 435 | EBSLEC-435 | Screw | 6 | 471 | EBSLEC-471 | Battery Safeguard | 2 | |
| 436 | EBSLEC-436 | Gasket | 6 | 472 | EBSLEC-472 | Heat Conduction Plate | 1 | |
| 4373X | EBSLEC-4373X | Motor Cover | 1 | 401A | EBSLEC-401A | Seal Gasket | 2 | |
| 1900 | EBSLEC-1900 | Pump Assembly | | | | | | |
| NV-XE | EBSLEC-NV-XE | Seal Kit Ass'y Of EBSL22N | Contains: 305, 306, 308, 309, 312, 318, 319, 326, 329, 330, 334A, 335A, 336A, 338A, 401, 401A, 407, 411 | | | | | |

Fig. 10 Wiring Diagram of EBSL22N

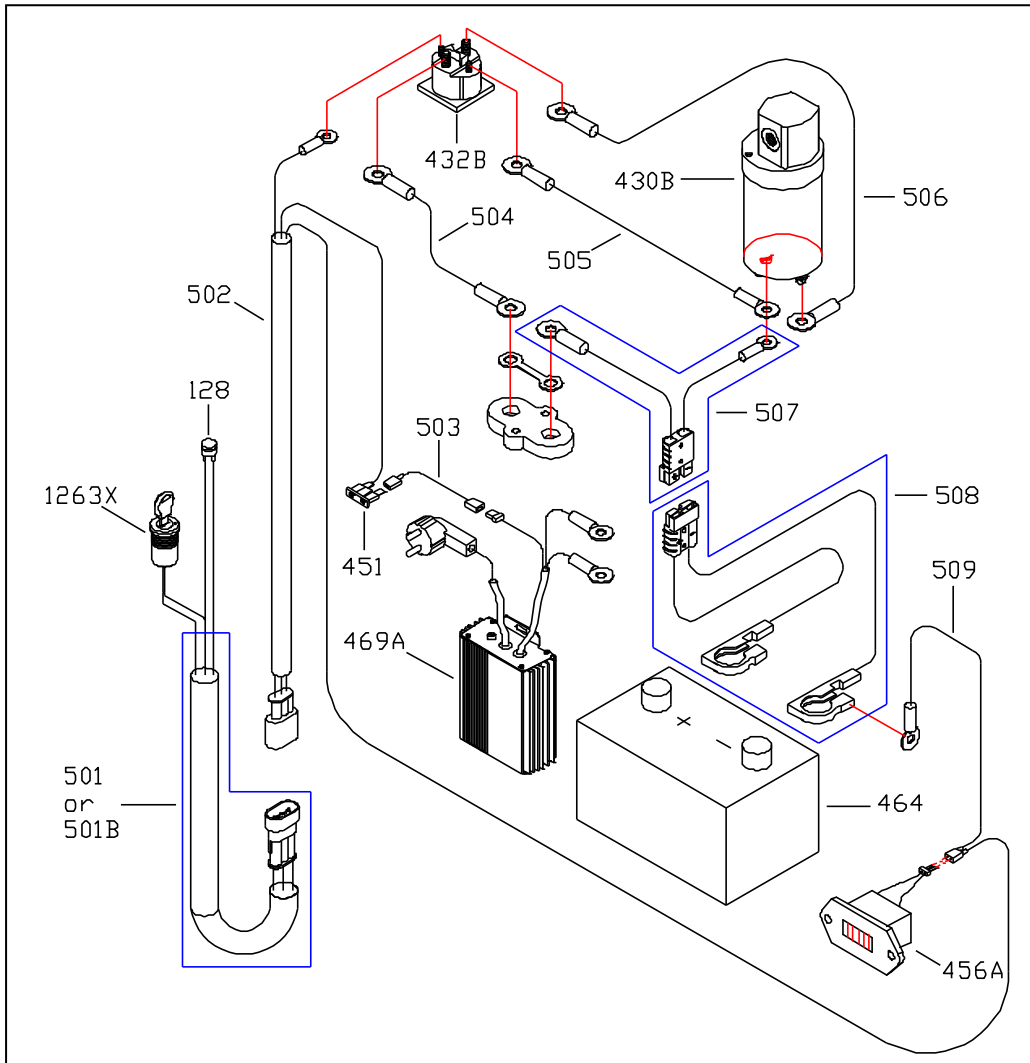


Fig. 10 Wiring Diagram of EBSL22N

| No. | Mobile Part # | Description | Qty | No. | Mobile Part # | Description | Qty |
|-----|---------------|-------------------------|-----|-----|---------------|----------------|-----|
| 501 | EBSLWD-501 | Wire harness of 1001E-D | 1 | 506 | EBSLWD-506 | Wire harness 6 | 1 |
| 502 | EBSLWD-502 | Wire harness 2 | 1 | 507 | EBSLWD-507 | Wire harness 7 | 1 |
| 503 | EBSLWD-503 | Wire harness 3 | 1 | 508 | EBSLWD-508 | Wire harness 8 | 1 |
| 504 | EBSLWD-504 | Wire harness 4 | 1 | 509 | EBSLWD-509 | Wire harness 9 | 1 |
| 505 | EBSLWD-505 | Wire harness 5 | 1 | | | | |



MOBILE INDUSTRIES, INC.
3750B Laird Rd - Unit 2 & 3
Mississauga ON, L5L 0R6
Canada

Toll Free: 1 800 527 4612 • Local 905 279 5370
Email: info@mobilept.com

MOBILEPT.COM