



OPERATING INSTRUCTIONS & PARTS LIST

ELT1650N LIFT TABLE

VERSION	N/A
MODEL	ECO ELT1650N LIFT TABLE
APPLICABLE PRODUCTS	ECO ELT1650N

NOTE: Owner and operator MUST read and understand the operating instructions before using the unit.

Thank you for using this lift table. Your lift table is made of high quality steel and is designed for the horizontal lifting and transport of loads on a level, fixed base. For your safety and correct operation, please carefully read this instruction before using it and keep it on file for future reference.

NOTE: All of the information reported herein is based on data available at the moment of printing. We reserve the right to modify our own products at any moment without notice and incurring in any sanction. So, it is suggested to always verify possible updates.

1. WARNINGS

- 1、 DO NOT put foot or hand in scissors mechanism.
- 2、 DO NOT allow other person to stand in front or behind lift table when it is moving.
- 3、 DO NOT move lift table when table is in raised position. Load could fall down.
- 4、 DO NOT enter under table.
- 5、 DO NOT overload lift table.
- 6、 DO NOT put foot in front of rolling wheels, Injury could fall down.
- 7、 WATCH difference of floor level when moving lift table. Load could fall down.
- 8、 DO NOT use lift table on slope or inclined surface, lift table may become uncontrollable and create danger.
- 9、 DO NOT lift people. People could fall down and suffer severe injury.

2. CAUTION

- 1、 Read this operation manual carefully and understand completely operating lift table. Improper operation could create danger.
- 2、 This lift table is a movable lifter designed to lift or lower rated load on table. DO NOT use lift table for other purpose than its intended use.
- 3、 DO NOT allow person to operate lift table that does not understand its operation.
- 4、 DO NOT lower table too fast. Load could fall down and create danger.
- 5、 KEEP watching the condition of load. Stop operating lift table if load becomes unstable.
- 6、 Braking lift table when sliding load on or off table.
- 7、 DO NOT side or end load. Load must be distributed on at least 80% of table area.
- 8、 DO NOT use lift table with unstable, unbalanced loosely load.
- 9、 Practice maintenance work according to service instructions.
- 10、 DO NOT modify lift table without manufacturer's written consent.
- 11、 REMOVE load from table and use safety stopper to prevent table from lowering when servicing lift table.
- 12、 This lift table is not designed to be water resistant. Use lift table under dry condition.

3. DAILY INSPECTION

Daily inspection is effective to find the malfunction or fault on lift table. Check lift table on the following points before operation.

- (1) Check for scratch, bending or cracking on the lift table.

- (2) Check if there is any oil leakage from the cylinder.
- (3) Check the vertical creep of the table.
- (4) Check the smooth movement of the wheels.
- (5) Check the function of brake.
- (6) Check if all the bolts and nuts are tightened firmly.

CAUTION: DO NOT use lift table if any malfunction or fault is found.

4. OPERATING LIFT TABLE

4-1. How to use the brake.

CAUTION: Brake lift when not moving it in order to prevent sudden movement.

The brake is equipped with the swivel caster on the right side.

- (1) Brake the wheel, press the brake pedal.
- (2) Release the brake, lift up the brake pedal.

4-2. Lifting the table

WARNING

1. DO NOT overload lift table. Stay within its rated capacity.
2. DO NOT side or end. Load must be distributed on at least 80% of table area.

Press the lifting pedal several times until the table reaches the desired position. The table does not elevate after reaching the highest position even if the lifting pedal is pressed. The table lowers slightly after reaching the highest position.

MAXIMUM CAPACITY OF TABLE
ELT1650N
750Kg / 1650lbs

NOTE: The hydraulic cylinder is designed to hold table. As is the nature of hydraulic system, table lowers very slowly over and extended period of time. Please note the table does not stay at the same position indefinitely.

4-3. Lowering table

WARNING: DO NOT put foot or hand in scissors mechanism

- Pull the control handle to make the table lower.

5. Specifications

Model	Capacity (kg)	Table (mm)	Table Height (mm)	Wheel (mm)	Weight (Kg)
ELT1650N	750 / 1650lbs	1000x510 / 40x20"	420-1000 / 16.5-39"	□147 / 5.8"	125 / 275lbs

6. Service Instructions

6-1. Lubricate each point described below every month:

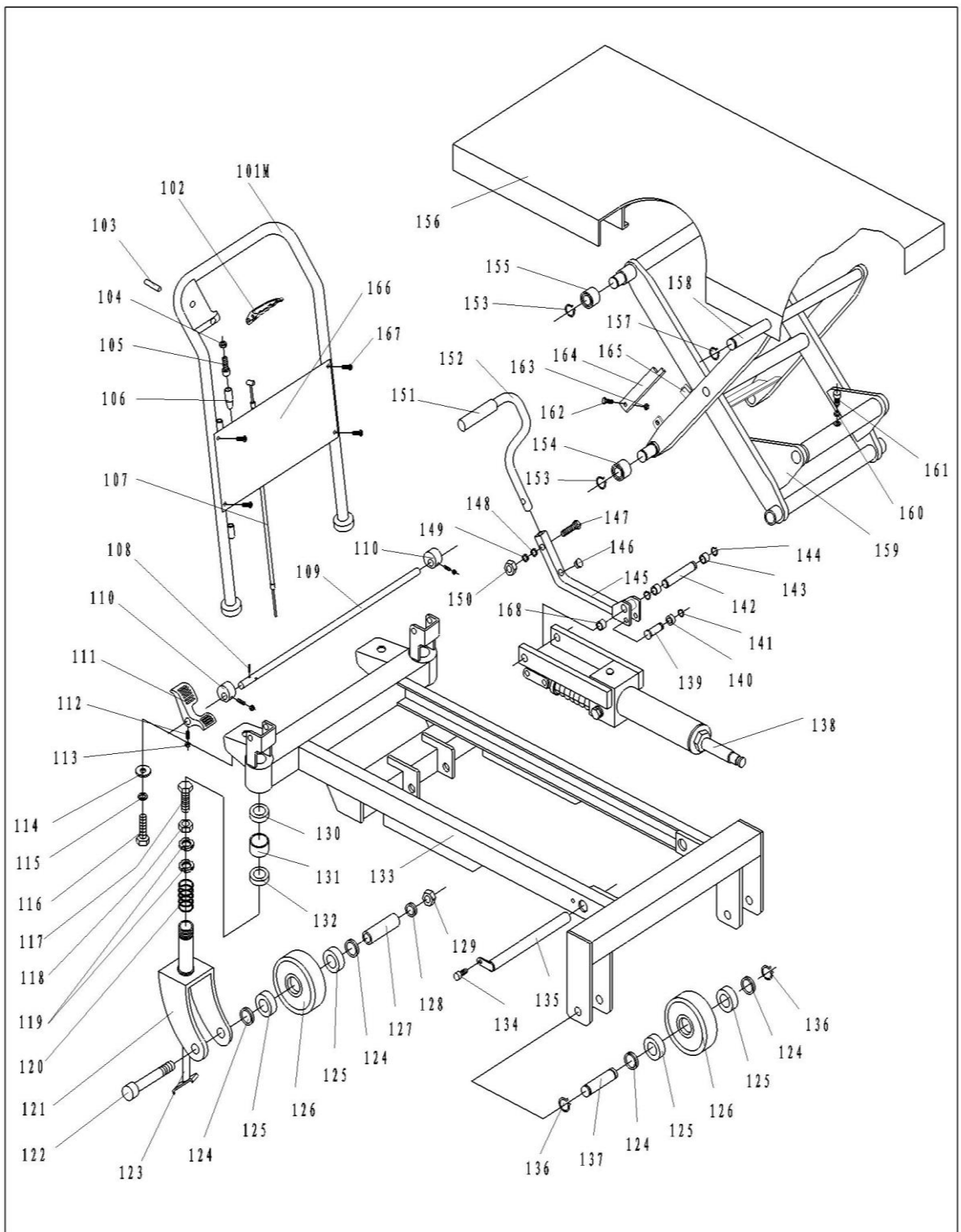
6-2. Change hydraulic oil every 12 months.

Lubricating Points

- (1) Fitting of cylinder---Oil
- (2) Roller friction surface---Grease
- (3) Link pin ---Oil

- (4) Pedal fitting point---Oil
- (5) Grease nipple---Grease

7. Parts List of Table

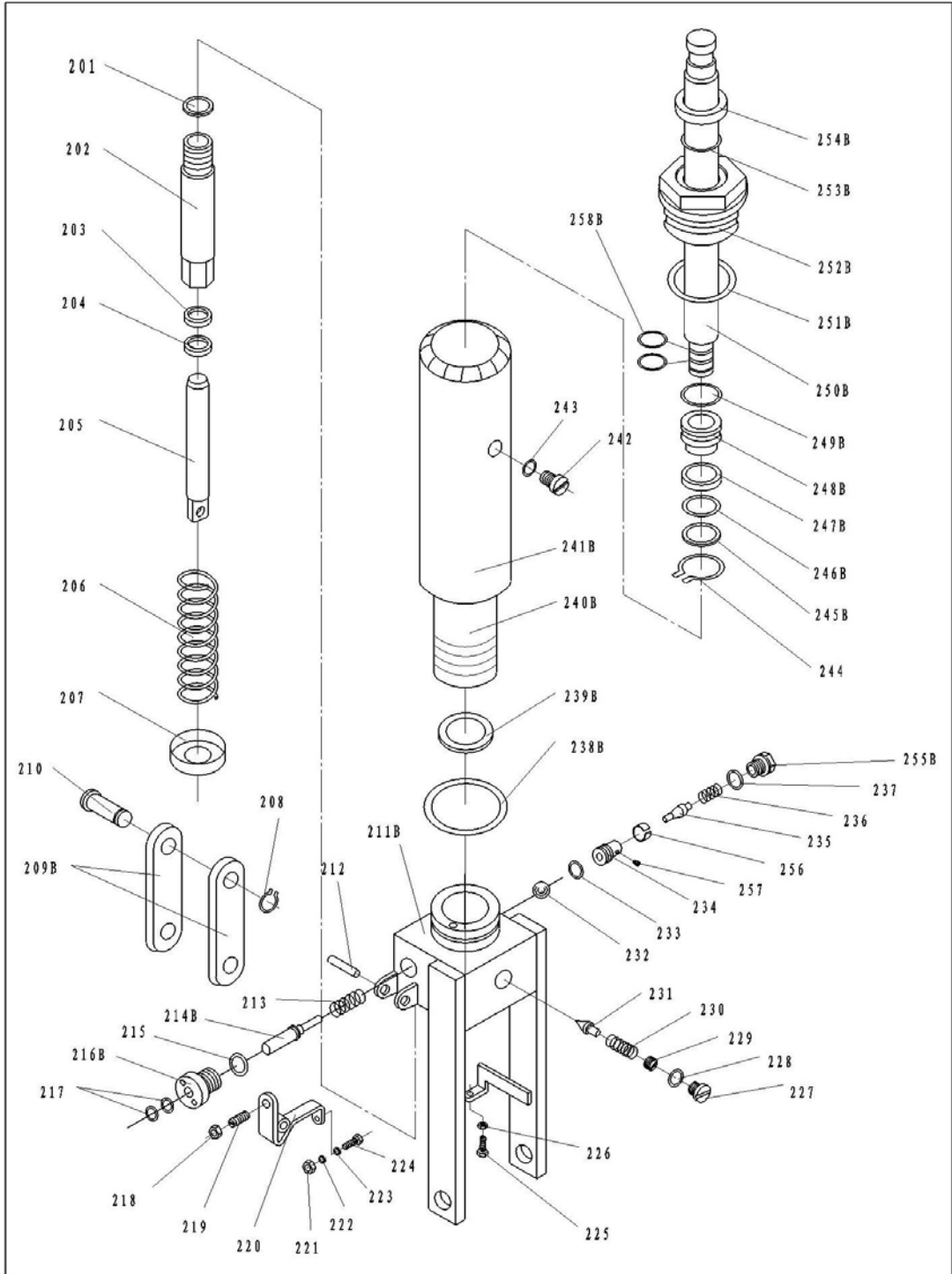


Part List of Table

No	Mobile No.	Description	Quantity
101M	ELT165N-101M	Handle Grip	1
102	ELT165N-102	Control Handle	1
103	ELT165N-103	Elastic Pin	1
104	ELT165N-104	Nut	1
105	ELT165N-105	Bolt with Hole	1
106	ELT165N-106	Jacket	1
107	ELT165N-107	Pull Rod	1
108	ELT165N-108	Elastic Pin	1
109	ELT165N-109	Shaft	1
110	ELT165N-110	Cam	2
111	ELT165N-111	Pedal	1
112	ELT165N-112	Screw	3
113	ELT165N-113	Nut	3
114	ELT165N-114	Big Washer	2
115	ELT165N-115	Elastic Washer	2
116	ELT165N-116	Bolt	2
117	ELT165N-117	Bolt	2
118	ELT165N-118	Nut	2
119	ELT165N-119	Round Nut	4
120	ELT165N-120	Spring	2
121	ELT165N-121	Seat of Wheel	2
122	ELT165N-122	Bolt	2
123	ELT165N-123	Brake	2
124	ELT165N-124	Washer	4
125	ELT165N-125	Bearing	8
126	ELT165N-126	Wheel	4
127	ELT165N-127	Axle	2
128	ELT165N-128	Elastic Washer	2
129	ELT165N-129	Nut	2
130	ELT165N-130	Bearing	2
131	ELT165N-131	Washer	2
132	ELT165N-132	Bearing	2
133	ELT165N-133	Frame	1
134	ELT165N-134	Bolt	1

No	Mobile No.	Description	Quantity
135	ELT165N-135	Shaft	1
136	ELT165N-136	Retaining Ring	4
137	ELT165N-137	Axle of Wheel	2
138	ELT165N-138	Pump Unit	1
139	ELT165N-139	Pin	1
140	ELT165N-140	Roller	1
141	ELT165N-141	Retaining Ring	1
142	ELT165N-142	Pin	1
143	ELT165N-143	Washer	2
144	ELT165N-144	Retaining Ring	2
145	ELT165N-145	Connecting Rod	1
146	ELT165N-146	Cushion	1
147	ELT165N-147	Bolt	1
148	ELT165N-148	Washer	1
149	ELT165N-149	Elastic Washer	1
150	ELT165N-150	Nut	1
151	ELT165N-151	Protecting Cover	1
152	ELT165N-152	Pedal Bar	1
153	ELT165N-153	Retaining Ring	4
154	ELT165N-154	Roller	2
155	ELT165N-155	Roller	2
156	ELT165N-156	Table	1
157	ELT165N-157	Retaining Ring	2
158	ELT165N-158	Shaft	2
159	ELT165N-159	Fork Arm	1
160	ELT165N-160	Elastic Washer	1
161	ELT165N-161	Screw	1
162	ELT165N-162	Screw	2
163	ELT165N-163	Nut	2
164	ELT165N-164	Support Plank	2
165	ELT165N-165	Elastic Pin	2
166	ELT165N-166	Protecting board	1
167	ELT165N-167	Bolt	4
168	ELT165N-168	Bushing	2

8. Parts List of Pump



Part List of Pump

No	Mobile No.	Description	Quantity
201	ELT165N-201	Seal Washer	1
202	ELT165N-202	Pump Cylinder	1
203	ELT165N-203	Dust Ring	1
204	ELT165N-204	Y - Seal	1
205	ELT165N-205	Pump Piston	1
206	ELT165N-206	Spring	1
207	ELT165N-207	Spring Cap	1
208	ELT165N-208	Retaining Ring	1
209B	ELT165N-209B	Joint Plate	2
210	ELT165N-210	Pin	1
212	ELT165N-212	Elastic Pin	1
213	ELT165N-213	Spring	1
214B	ELT165N-214B	Strike Pin	1
215	ELT165N-215	Seal Washer	1
216B	ELT165N-216B	Axle Sleeve	1
217	ELT165N-217	O - Ring	2
218	ELT165N-218	Nut	1
219	ELT165N-219	Screw	1
220	ELT165N-220	Lever Plate	1
221	ELT165N-221	Nut	1
222	ELT165N-222	Elastic Washer	1
223	ELT165N-223	Washer	1
224	ELT165N-224	Bolt with Hole	1
225	ELT165N-225	Bolt with Hole	1
226	ELT165N-226	Nut	1
227	ELT165N-227	Plug	1
228	ELT165N-228	O - Ring	1
229	ELT165N-229	Adjusting Bolt	1
230	ELT165N-230	Spring	1

No	Mobile No,	Description	Quantity
231	ELT165N-231	Spindle of Safety Valve	1
232	ELT165N-232	Steel Ball	1
233	ELT165N-233	O-Ring	1
234	ELT165N-234	Seat of Pumping Valve	1
235	ELT165N-235	Spindle of Pumping Valve	1
236	ELT165N-236	Spring	1
237	ELT165N-237	Seal Washer	1
238B	ELT165N-238B	O-Ring	1
239B	ELT165N-239B	Seal Washer	1
240B	ELT165N-240B	Cylinder	1
241B	ELT165N-241B	Housing	1
242	ELT165N-242	Bolt	1
243	ELT165N-243	Seal Washer	1
244	ELT165N-244	Retaining Ring	1
245B	ELT165N-245B	Washer	1
246B	ELT165N-246B	O-Ring	1
247B	ELT165N-247B	Cup Packing	1
248B	ELT165N-248B	Piston	1
249B	ELT165N-249B	O - Ring	1
250B	ELT165N-250B	Piston Rod	1
251B	ELT165N-251B	O - Ring	1
252B	ELT165N-252B	Cylinder Cap	1
253B	ELT165N-253B	O - Ring	1
254B	ELT165N-254B	Dust Ring	1
255B	ELT165N-255B	Plug	1
256	ELT165N-256	Liquid Throttle Sheath	1
257	ELT165N-257	Bolt	1
258B	ELT165N-258B	O - Ring	2



MOBILE INDUSTRIES, INC.
3750B Laird Rd - Unit 2 & 3
Mississauga ON, L5L 0R6
Canada

Toll Free: 1 800 527 4612 • Local 905 279 5370
Email: info@mobilept.com

MOBILEPT.COM